

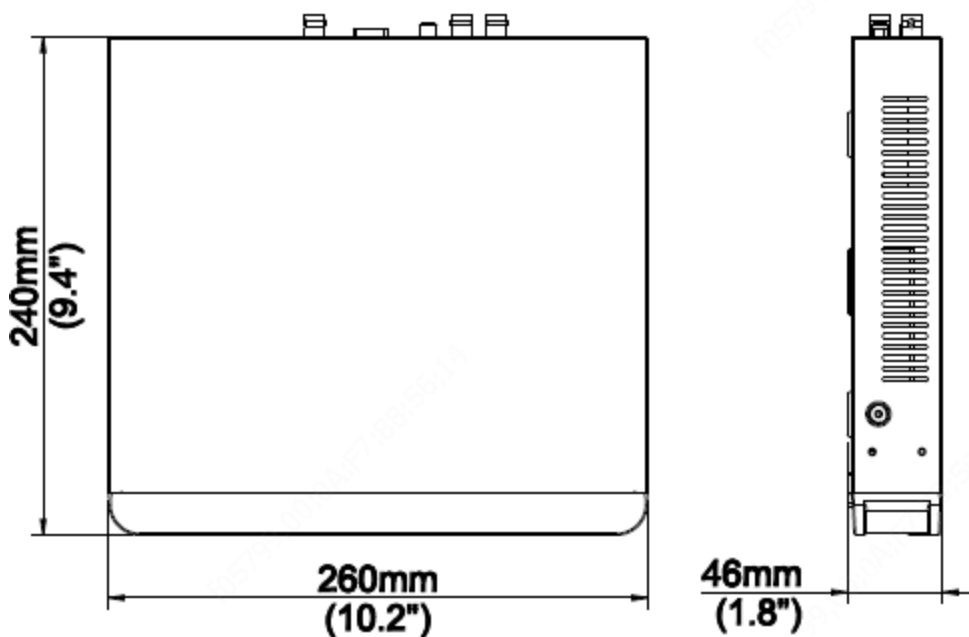
# Network Video Recorder PW7608-S1/A8-XVR



## Key Features

- Support H.265/H.264 video formats
- Support audio over coaxial cable
- Support TVI, AHD, CVI, CVBS, IP cameras with adaptive access
- 8-channel BNC input
- Support 1-ch HDMI output, 1-ch VGA output, HDMI at up to 4K(3840 x 2160) resolution
- Long transmission distance over coaxial cable

## Dimensions

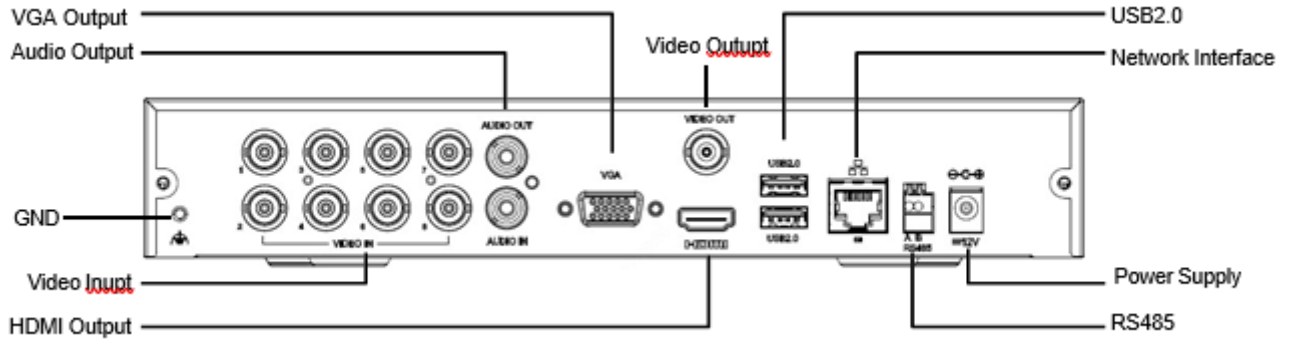


# Specifications

Model	PW7608-S1/A8-XVR
<b>Video/Audio Input</b>	
Analog Video Input	8-ch, BNC
IP Video Input	4-ch(only IP up to 12ch), each channel up to 4K
Supported Analog Camera Types	<p><b>Support AHD input:</b>            8MP@15fps            5MP@20fps            4MP@30fps            3MP@30fps(channel1-channel2)            1080P@30fps            720P@60fps</p> <p><b>Support TVI input:</b>            8MP@15fps            5MP@20fps            4MP@30fps            3MP@20fps(channel1-channel2)            1080P@30fps            720P@60fps</p> <p>Support CVI input:            8MP@15fps            5MP@20fps            4MP@30fps            1080P@30fps            720P@30fps</p> <p>Support CVBS input</p>
Audio Input	1-ch, RCA
Two-way Audio	1-ch, RCA
<b>Network</b>	
Incoming Bandwidth	56Mbps
Outgoing Bandwidth	64Mbps
Remote Users	128
Protocols	TCP/IP, P2P, UPnP, NTP, DHCP, PPPoE
<b>Video/Audio Output</b>	
CVBS Output	1-ch, BNC
VGA Output	1920x1080p/60Hz, 1920x1080p/50Hz, 1600x1200/60Hz, 1280x1024/60Hz, 1280x720/60Hz, 1024x768/60Hz
HDMI Output	3840 x 2160/30Hz, 1920x1080p/60Hz, 1920x1080p/50Hz, 1600x1200/60Hz, 1280x1024/60Hz, 1280x720/60Hz, 1024x768/60Hz
Audio Output	1-ch, RCA
Synchronous Playback	8-ch

Encoding	
Recording Resolution	8MP Lite/5MP Lite/4MP Lite /1080P/960P/720P/960H/D1/4CIF/CIF
Recording Frame Rate	<p><b>Main stream:</b>            8MP Lite@8fps            5MP Lite@12fps            4MP Lite@15fps            3MP@15fps(channel1-channel2)            1080P@15fps            720P@30fps</p> <p><b>Sub stream:</b>            D1 @12fps(Max)</p>
Hard Disk	
SATA	1 SATA interface
Capacity	Up to 8TB for each disk (The maximum HDD capacity varies with environment temperature)
Smart	
VCA Detection	2-ch Intrusion detection and cross line detection on analog camera
VCA Search	Behavior search on analog camera
External Interface	
Network Interface	1 RJ45 10M/100M self-adaptive Ethernet Interface
USB Interface	Rear panel: 2 x USB2.0
Serial Interface	1 x RS485
General	
Power Supply	12V DC Power Consumption: ≤ 8 W( without HDD )
Working Environment	-10°C ~ + 55°C ( +14°F ~ +131°F ), Humidity ≤ 90% RH(non-condensing)
Dimensions(WxDxH)	260mm x240mmx 46mm (10.2" x 9.4"x1.8")
Weight ( without HDD )	≤1.1 Kg ( 2.42lb )

## Rear Panel



### **Petawise Inc.**

Unit 8-9, 1040 Martin Grove Road, Etobicoke, Ontario, Canada M9W 4W1  
Sales@petawise.com; Marketing@petawise.com  
www.petawise.com

*\*Product specifications and availability are subject to change without notice.*