

# 4K HD ColorHunter Fixed Eyeball Network Camera PW548F-LS28



## Key Features



- High quality image with 8MP, 1/1.8"CMOS sensor
- 8MP (3840\*2160)@ 30(AI off)/25fps; 5.3MP (3072\*1728)@ 30/25fps; 3.6MP (2560\*1440) @30/25fps; 2MP (1920\*1080) @30/25fps 720P (1280\*720), Max 30/25fps:
- Ultra 265, H.265, H.264, MJPEG
- Colorhunter technology ensures 24-hour full-color images
- 120dB true WDR technology enables clear image in strong light scene
- F1.0 Super aperture
- Support 9:16 corridor Mode
- Support 256 G Micro SD card
- IK10 vandal resistant and IP67 protection
- Alarm:1 in/1 out, Audio: 1 in/1 out

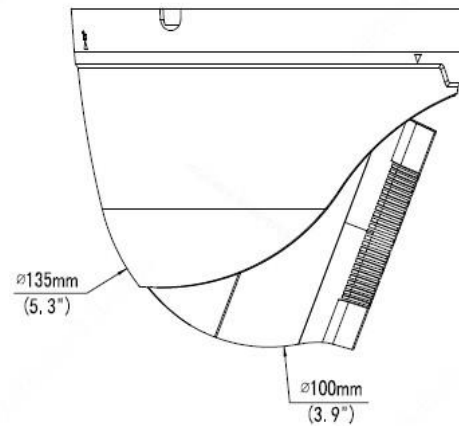
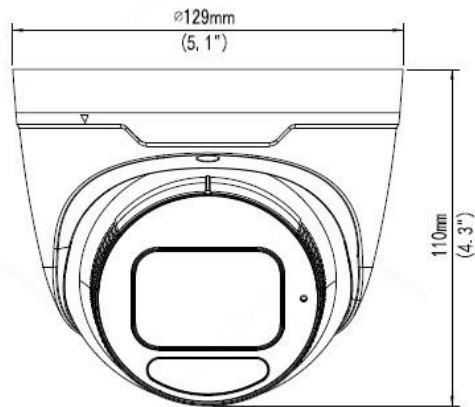
# Specifications

PW548F-LS28					
Camera					
Sensor	1/1.8", 8.0 megapixel, progressive scan, CMOS				
Minimum Illumination	Colour: 0.001Lux (F1.0, AGC ON)				
Shutter	Auto/Manual, 1 ~ 1/100000s				
Adjustment angle	Pan: 0° ~ 360°	Tilt: 0° ~ 72°		Rotate: 0° ~ 360°	
WDR	120dB				
S/N	>56dB				
Lens					
Lens	2.8mm@F1.0				
Angle of view(H)	110.15°				
Angle of View (V)	59.06°				
Angle of View (O)	143.19°				
DORI					
DORI Distance	Lens (mm)	Detect (m)	Observe (m)	Recognize (m)	Identify (m)
	2.8	63.0	25.2	12.6	6.3
Illuminator					
LED Distance	Up to 30m (98ft)				
LEDs Number	2				
LED On/Off Control	Auto/Manual				
Video					
Video Compression	Ultra265, H.265, H.264, MJPEG				
H.264 code profile	Baseline profile, Main profile, High profile				
Frame Rate	Main Stream: 8MP (3840*2160), Max 30fps; 5.3MP (3072*1728), Max 30fps; 3.6MP (2560*1440), Max 30fps; 1080P (1920*1080), Max 30fps; 720P (1280*720), Max 30fps; Sub Stream: 1080P (1920*1080), Max 30fps; 720P (1280*720), Max 30fps; D1 (720*576), Max 30fps; 640*360, Max 30fps; 2CIF(704*288), Max 30fps; CIF(352*288), Max 30fps; Third Stream: D1 (720*576), Max 30fps; 640*360, Max 30fps; 2CIF(704*288), Max 30fps; CIF(352*288), Max 30fps;				
Video Bit Rate	128 Kbps- 16 Mbps				
U-code	Support				
ROI	Up to 8 areas				
Video Stream	Triple streams				
OSD	Up to 8 OSDs				
Privacy Mask	Up to 4 areas				
A.I. Analytics	Cross line, Intrusion, Enter area, Leave area, Face Detection				
Image					
White Balance	Auto/Outdoor/Fine Tune/Sodium Lamp/Locked/Auto2				
Image Setting	Image rotation, brightness, saturation, contrast, sharpness, gain adjustable by web browser				
Digital Noise Reduction	2D/3D DNR				
Smart Illumination	Support				
Flip	Normal/Vertical/Horizontal/180°/90° Clockwise/90° Anti-clockwise				
Dewarping	N/A				
HLC	Supported				

BLC	Supported
Defog	Digital Defog
<b>Audio</b>	
Audio Compression	G.711
Audio Bitrate	64 Kbps
Two-way audio	Supported
Suppression	Supported
Sampling Rate	8KHZ
<b>Storage</b>	
Edge Storage	Micro SD, up to 256 GB
Network Storage	ANR, NAS(NFS)
<b>Network</b>	
Protocols	IPv4, IGMP, ICMP, ARP, TCP, UDP, DHCP, PPPoE, RTP, RTSP, RTCP, DNS, DDNS, NTP, FTP, UPnP, HTTP, HTTPS, SMTP, 802.1x, SNMP, QoS, RTMP,SSL/TLS, SSH
Compatible Integration	ONVIF (Profile S, Profile G, Profile T), API,SDK
User/Host	Up to 32 users. 2 user levels: administrator and common user
Security	Password protection, Strong password, HTTPS encryption, Export operation logs, Basic and digest authentication for RTSP, Digest authentication for HTTP, TLS 1.2, WSSE and digest authentication for ONVIF
Client	ProVu VMS ProVU Mobile
Web Browser	Plug-in required live view: IE9+, Chrome 41 and below, Firefox 52 and below
	Plug-in free live view: Chrome 57.0+, Firefox 58.0+, Edge 16+
<b>Interface</b>	
Audio I/O	Input: impedance 35kΩ; amplitude 2V [p-p]
	Output: impedance 600Ω; amplitude 2V [p-p]
Alarm I/O	1/1
RS485	N/A
Built-in Mic	Support
Built-in Speaker	N/A
WIFI	N/A
Network	1 RJ45 10M/100M Base-TX Ethernet
Video Output	N/A
<b>Certifications</b>	
EMC	FCC CFR 47 Part 15 EN 55032:2015 EN 55024:2010 EN 61000-3-2:2014 EN 61000-3-3-2013
Safety	IEC 62368-1 EN 62368-1 UL 62368-1
Environment	CE-ROHS (2011/65/EU;(EU)2015/863); WEEE (2012/19/EU); REACH (Regulation (EC) No 1907/2006)
<b>General</b>	
Power	DC 12V±25%, PoE (IEEE 802.3af)
	Power consumption: Max 11W

Power Interface	Ø 5.5mm coaxial power plug
Dimensions (Ø x H)	Ø 129 x 110mm (Ø5.1" x 4.3")
Weight	0.64kg (1.41lb)
Material	Metal
Operating Conditions	-30°C ~ 60°C (-22°F ~ 140°F), Humidity: ≤95% RH (non-condensing)
Storage Environment	-30°C ~ 60°C (-22°F ~ 140°F), Humidity: ≤95% RH (non-condensing)
Surge Protection	4KV
Reset Button	Supported
Protection	Ingression protection: IP67 Vandal resistant: IK10

## Dimensions



## Accessories

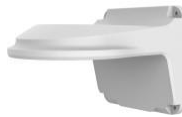
TR-JB03-H-IN



TR-JB07/WM03-F-IN



TR-WM03-B-IN



TR-UP06-IN



TR-A01-IN



TR-SE24-IN


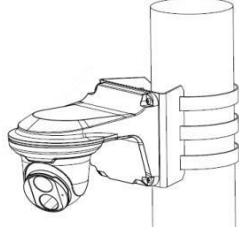
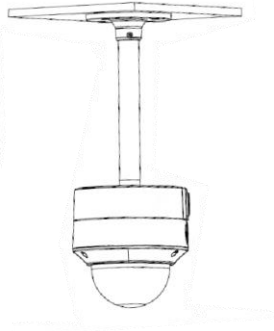


TR-SE24-A-IN



TR-CM24-IN



Junction Mount	Pole Mount
TR-JB03-H-IN	TR-JB07/WM03-F-IN(TR-WM03-B-IN)+TR-UP06-IN
	
TR-CM24-IN+TR-JB03-H-IN	
	

## Petawise Inc.

Unit 8-9, 1040 Martin Grove Road, Etobicoke, Ontario, Canada M9W 4W1  
 Sales@petawise.com; Marketing@petawise.com  
 www.petawise.com

*\*Product specifications and availability are subject to change without notice.*