

4MP Network IR Fixed Dome Camera

IPC3614SR3-DPF28 (36)(60)M



Key Features

Optics

- Day/night functionality
- Up to 120 dB WDR (Wide Dynamic Range)
- SmartIR, up to 30 m (98 ft) IR distance

Compression

- Ultra 265, H.265, H.264, MJPEG
- Embedded smart algorithm
- Triple streams
- 9:16 corridor format

Network

- ONVIF Conformance

Structure

- Wide temperature range: -35°C to 60°C (-31°F to 140°F)
- Wide voltage range of $\pm 25\%$
- 4 KV surge protection designed for network interface

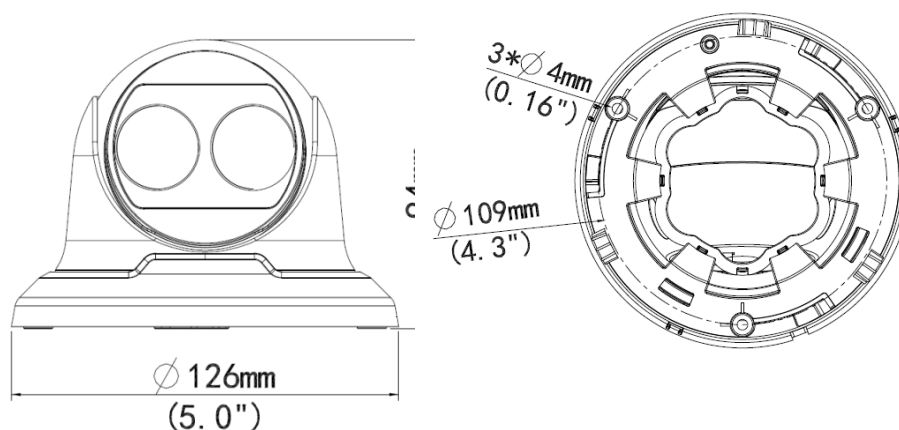
● IP67

Specifications

	IPC3614SR3-DPF28M	IPC3614SR3-DPF36M	IPC3614SR3-DPF60M		
Camera					
Sensor	1/3", progressive scan, 4megapixel, CMOS				
Lens	2.8mm@F1.8	3.6mm@F1.8	6mm@F1.8		
DORI Distance	Lens	Detect(m)	Observe(m)	Recognize(m)	Identify(m)
	2.8mm	63	25.2	12.6	6.3
	3.6mm	81	32.4	16.2	8.1
	6 mm	135	54	27	13.5
Angle of view(H)	104.4°	86.4°	49.9°		
Angle of View (V)	67°	53.2°	32.9°		
Angle of View (O)	135.7°	112.3°	61.4°		
Adjustment angle	Pan: 0°~360°	Tilt: 0°~90°	Rotate: 0°~360°		
Adjustment Range	Pan: 0°~360° , Tilt: 0° ~ 77°, Rotation: 0° ~ 360°				
Shutter	Auto/Manual, 1/6~1/100000 s				
Minimum Illumination	Colour: 0.02 Lux (F1.8, AGC ON) 0 Lux with IR				
Day/Night	IR-cut filter with auto switch (ICR)				
Digital noise reduction	2D/3D DNR				
S/N	>52 dB				
IR Range	Up to 30m (98 ft) IR range				
Defog	Digital Defog				
WDR	120dB				
AWB(Auto white balance)	Auto/manual				
Gain Control	Auto/manual				
Video					
Video Compression	Ultra 265,H.265, H.264, MJPEG				
H.264 code profile	Baseline profile, Main Profile, High Profile				
Frame Rate	Main Stream:4MP (2592×1520): Max. 20 fps , 4MP (2560×1440): Max. 25 fps , 3MP (2048×1520): Max. 30 fps; Sub Stream:2MP (1920×1080): Max. 30 fps; Third Stream:D1(720×576) : Max. 30fps				
HLC	Supported				
BLC	Supported				
9:16 Corridor Mode	Supported				
OSD	Up to 8 OSDs				
Privacy Mask	Up to 8 areas				
ROI	Up to 8 areas				
Motion Detection	Up to 4 areas				
Smart					
Behavior Detection	Intrusion, cross line, motion detection				

Intrusion	Enter and loiter in a pre-defined virtual region
cross line	Cross a pre-defined virtual line
motion detection	Moving within a pre-defined virtual region
Recognition	Face detection、 Audio detection
Intelligent Identification	Defocus, Scene Change
Statistical Analysis	People counting
General Function	Watermark, IP Address Filtering, Tampering Alarm, Access Policy, ARP Protection, RTSP Authentication, User Authentication
Network	
Protocols	IPv4, IGMP, ICMP, ARP, TCP, UDP, DHCP, PPPoE, RTP, RTSP, RTCP, DNS, DDNS, NTP, FTP, UPnP, HTTP, HTTPS, SMTP, 802.1x, SNMP
Compatible Integration	ONVIF(Profile S, Profile G), API
Interface	
Network	1 RJ45 10M/100M Base-TX Ethernet
Approvals	
	UL, FCC, CE
General	
Power	12 V DC±25%, PoE (IEEE802.3 af)
	Power consumption: Max 5.5W
Dimensions (∅ x H)	∅126 x 94 mm (∅5.0" x 3.7")
Weight	0.45 kg (0.99lb)
Operating Conditions	-35°C ~ +60°C (-31°F ~ 140°F), Humidity:10%~95% RH(non-condensing)
Ingress Protection	IP67

Dimensions



Zhejiang Uniview Technologies Co.,Ltd.

South Tower, Building 10, Wanlun Science Park, 88 Jiangling Road, Hangzhou, P.R.China 310051

Email: overseasbusiness@uniview.com; globalsupport@uniview.com

<http://www.uniview.com>

©2016-2018 Zhejiang Uniview Technologies Co.,Ltd. All rights reserved.

*Product specifications and availability are subject to change without notice.