

# 4K Starlight Multi-sensor Panoramic Network Camera

IPC8542ER5-DUG



## Key Features

### Optics

- Fifth-generation infrared technology, more than 50m (164ft) IR distance
- Starlight illumination
- IR anti-reflection window to increase the infrared transmittance
- Smart IR
- 2D/3D DNR (Digital Noise Reduction)
- 120dB true WDR
- Support not less than 180 degree panoramic view control

### Compression

- H.265, H.264, MJPEG
- Embedded smart algorithm
- Triple streams
- Customized OSD
- 8MP@30fps supported

### Network

- ONVIF Conformance

## Structure

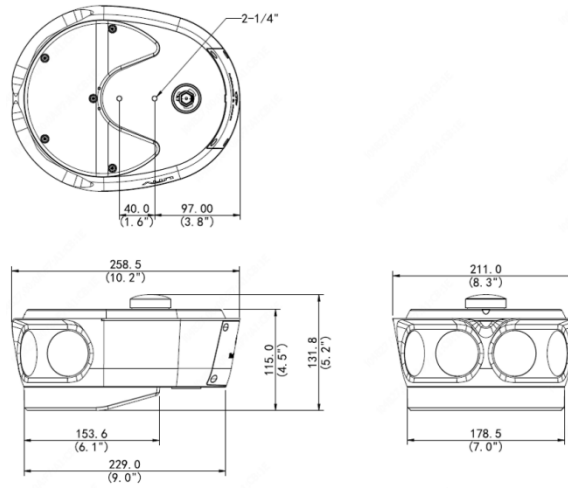
- Intelligent temperature control technology
- Wide temperature range: -40°C to 70°C (-40°F to 158°F)
- Wide voltage range of  $\pm 25\%$
- More effective heat dissipation system
- IP67

## Specifications

IPC8542ER5-DUG					
Camera					
Sensor	1/1.8" progressive scan, 2.0 megapixel, CMOS*4				
Lens	4.2mm				
DORI Distance	Lens	Detect(m)	Observe(m)	Recognize(m)	Identify(m)
	4.2mm	50.4	20.2	10.1	5.0
Angle of View (H)	180°				
Angle of View (V)	80°				
Angle of View (O)	221.4°				
Adjustment angle	Pan: -90°~90°			Tilt: -60°~45°	
Shutter	Auto/Manual, shutter time: 1 s ~ 1/100000 s				
Minimum Illumination	Colour: 0.001lux (F1.8,AGC ON) 0.0001lux with IR				
Iris	F1.8				
Day/Night	IR-cut filter with auto switch (ICR)				
S/N	>55 dB				
IR Range	UP to 50m (164ft)				
Defog	Digital Defog				
WDR	120dB				
Video					
Video Compression	H.265, H.264, MJPEG				
H.264 code profile	Baseline profile, Main Profile, High Profile				
Frame Rate	Main Stream: 8MP (4096×1800): Max. 30 fps; Sub Stream: 1920×832: Max. 30 fps; Third Stream: 1280×560: Max. 30 fps				
HLC	Supported				
BLC	Supported				
OSD	Up to 8 OSDs				
Privacy Mask	Up to 24 areas				
ROI	Up to 8 areas				
Motion Detection	Up to 4 areas				
Smart					

Behavior Detection	Intrusion, cross line, motion detection, Legacy of goods, Moving objects
Intrusion	Enter and loiter in a pre-defined virtual region
cross line	Cross a pre-defined virtual line
motion detection	Moving within a pre-defined virtual region
Recognition	Face detection
Statistical Analysis	People counting
General Function	Watermark, IP Address Filtering, Tampering Alarm, Alarm input, Alarm output, Access Policy, ARP Protection, RTSP Authentication, User Authentication
<b>Audio</b>	
Audio Compression	G7.11
Two-way Audio	Supported
Suppression	Supported
Sampling Rate	8KHz
<b>Storage</b>	
Edge Storage	Micro SD, up to 256 GB
Network Storage	ANR
<b>Network</b>	
Protocols	IPv4, IGMP, ICMP, ARP, TCP, UDP, DHCP, PPPoE, RTP, RTSP, RTCP, DNS, DDNS, NTP, FTP, UPnP, HTTP, HTTPS, SMTP, 802.1x, SNMP
Compatible Integration	ONVIF(Profile S, Profile G), API
<b>Interface</b>	
Audio I/O	1 Input: impedance 35 kΩ; amplitude 2 V [p-p]
	1 Output: impedance 600 Ω; amplitude 2 V [p-p]
Alarm I/O	2/1
Network	1 100M/1000M Base-FX SFP + 2 10M/100M/1000M Base-TX Ethernet
<b>Approvals</b>	
	UL, FCC, CE
<b>General</b>	
Power	AC24V/DC24V±25%
	Power consumption: 40W
Dimensions	259mmx211mmx132mm
Weight	2.5kg(5.5lb)
Working Environment	-40°C ~ +70°C (-40°F ~ 158°F), Humidity:10%~90% RH(non-condensing)
Ingress Protection	IP67
Reset Button	Supported

## Dimensions



**Zhejiang Uniview Technologies Co., Ltd.**

South Tower, Building 10, Wanlun Science Park, 88 Jiangling Road, Hangzhou, P.R.China 310051

Email: [overseasbusiness@uniview.com](mailto:overseasbusiness@uniview.com); [globalsupport@uniview.com](mailto:globalsupport@uniview.com)

<http://www.uniview.com>

©2018 Zhejiang Uniview Technologies Co., Ltd. All rights reserved.

\*Product specifications and availability are subject to change without notice.