

2MP 44X Starlight Network PTZ Dome Camera

IPC6852SR-X44U



Key Features

Optics

- 44X Optical Zoom
- Starlight illumination
- Accurate and fast focusing
- Optical Defog Supported
- Up to 120 dB Optical WDR(Wide Dynamic Range)
- The Fifth-generation infrared technology, more than 250m (820ft) IR distance
- Optical glass window with higher light transmittance
- IR anti-reflection window to increase the infrared transmittance
- Smart IR
- EIS (Electronic Image Stabilization)

Compression

- Ultra 265,H.265, H.264, MJPEG
- Embedded smart algorithm
- Triple streams
- 1080P@60fps supported

Network

- ONVIF Conformance

Structure

- Innovative snow-removing functionality
- More effective heat dissipation system
- Intelligent temperature control technology
- 6 KV surge protection designed for network interface
- Fast Installing structure designed

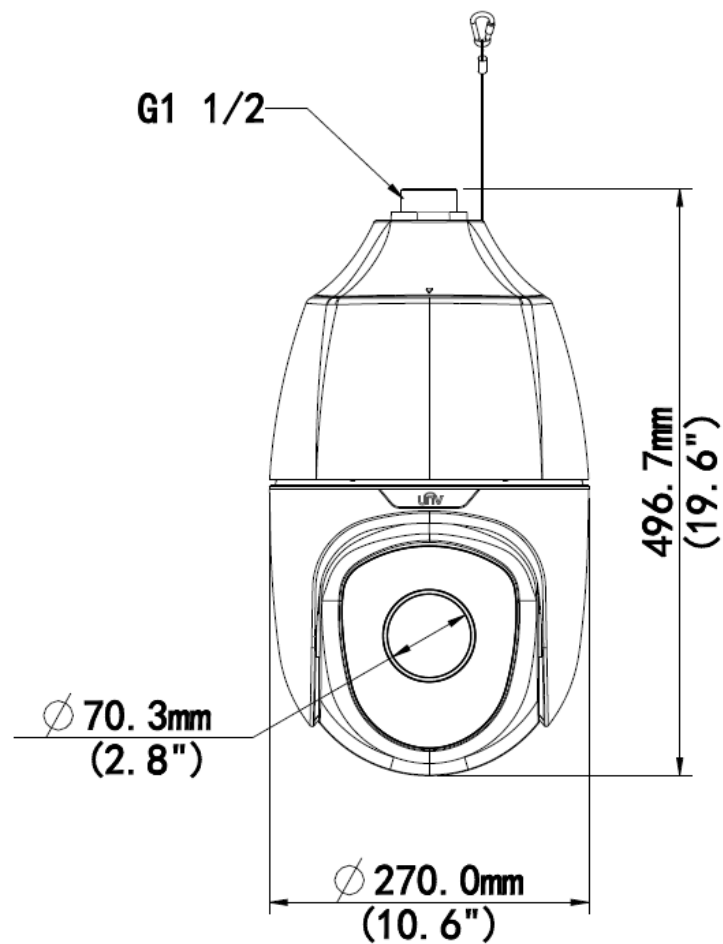
Specifications

| IPC6852SR-X44U | | | | | |
|-------------------------|--|-----------|------------|--------------|-------------|
| Camera | | | | | |
| Sensor | 1/2.8", progressive scan, 2.0 megapixel, CMOS | | | | |
| Lens | 5 ~ 220 mm , AF automatic focusing and motorized zoom lens | | | | |
| Digital Zoom | 16 | | | | |
| Optical Zoom | 44 | | | | |
| DORI Distance | Lens | Detect(m) | Observe(m) | Recognize(m) | Identify(m) |
| | 5mm | 77.6 | 31 | 15.5 | 7.8 |
| | 220mm | 3413.8 | 1365.5 | 682.8 | 341.4 |
| Angle of View (H) | 60.6°~ 1.8° | | | | |
| Angle of View (V) | 34.8°~0.8° | | | | |
| Angle of View (O) | 74.5°~2.1° | | | | |
| Shutter | Auto/Manual; shutter time: 1/6 s ~ 1/100000 s | | | | |
| Minimum Illumination | Colour: 0.0005 lux (F1.2, AGC ON) 0 lux with IR | | | | |
| Iris | Auto/Manual; F1.2 ~ F3.5 | | | | |
| Day/Night | IR-cut filter with auto switch (ICR) | | | | |
| Digital noise reduction | 2D/3D DNR | | | | |
| S/N | >52dB | | | | |
| IR Range | Up to 250m(820 ft) | | | | |
| WDR | 120dB | | | | |
| Video | | | | | |
| Video Compression | Ultra 265, H.265, H.264, MJPEG | | | | |
| H.264 code profile | Baseline profile, Main Profile, High Profile | | | | |
| Frame Rate | Main Stream: 2MP (1920×1080): Max. 60 fps; Sub Stream: 2MP (1920×1080): Max. 60 fps; Third Stream: D1 (720×576): Max. 60 fps | | | | |
| HLC | Supported | | | | |
| BLC | Supported | | | | |

| | |
|----------------------------|--|
| EIS | Supported |
| OSD | Up to 8 OSDs |
| Privacy Mask | Up to 24 areas |
| ROI | Up to 8 areas |
| Motion Detection | Up to 4 areas |
| Smart | |
| Behavior Detection | Intrusion, cross line, motion detection, Auto tracking |
| Intrusion | Enter and loiter in a pre-defined virtual region |
| cross line | Cross a pre-defined virtual line |
| motion detection | Moving within a pre-defined virtual region |
| auto tracking | Tracking the specified target |
| Recognition | Face detection、 Audio detection |
| Intelligent Identification | Defocus, Scene Change |
| Statistical Analysis | People counting |
| General Function | Watermark, IP Address Filtering, Tampering Alarm, Alarm input, Alarm output, Access Policy, ARP Protection, RTSP Authentication, User Authentication |
| Audio | |
| Audio Compression | G.711 |
| Two-way audio | Supported |
| Suppression | Supported |
| Sampling Rate | 8 KHZ |
| Storage | |
| Edge Storage | Micro SD, up to 128GB |
| Network Storage | ANR |
| Network | |
| Protocols | IPv4, IGMP, ICMP, ARP, TCP, UDP, DHCP, PPPoE, RTP, RTSP, RTCP, DNS, DDNS, NTP, FTP, UPnP, HTTP, HTTPS, SMTP, 802.1x, SNMP |
| Compatible Integration | ONVIF(Profile S, Profile G), API |
| Pan & Tilt | |
| Pan Range | 360° (endless) |
| Pan Speed | 0.1°/s ~ 240°/s |
| | Preset speed: 300°/s |
| Tilt Range | -15° ~ +90° (auto reverse) |
| Tilt Speed | 0.1° ~ 160°/s |
| | Preset speed: 240°/s |
| Number of Presets | 1024 |
| Patrol | Preset patrol, route patrol, recorded patrol |
| Home Position | Supported |
| Interface | |
| Audio I/O | Audio cable |
| | 1 Input: impedance 35 kΩ; amplitude 2 V [p-p] |
| | 1 Output: impedance 600 Ω; amplitude 2 V [p-p] |
| Alarm I/O | 2 / 1 |
| Serial Port | 1 RS485 |
| Network | 1 RJ45 10M/100M Base-TX Ethernet |

| | |
|---------------------|--|
| Video Output | 1 BNC, impedance 75 Ω; amplitude 1 V [p-p] |
| Approvals | |
| | UL, FCC, CE |
| General | |
| Power | 24 V±25% AC (Default), 24 V±25% DC |
| | Power consumption:16 ~56W |
| Dimensions(∅xH) | ∅270mm×496.7mm(∅10.6" x 19.6") |
| Weight | 9.69kg(21.4lb) |
| Working Environment | -40℃~70℃(-40°F ~ 158°F), Humidity:10%~95% RH(non-condensing) |
| Ingress Protection | IP66 |
| Heat | Built-in Heater and Temperature control system |
| Reset Button | Supported |

Dimensions



Accessories

| Installation mode | Accessories | Description |
|---------------------|---|---|
| Pendant mount | TR-CE45-IN bracket | / |
| | Pendant components: TR-UF45-A-IN ceiling plate TR-SE45-IN pendant rod (200mm) TR-SE45-A-IN pendant rod (500mm) | Ceiling plate is optional with different pendant rod for various applications |
| Standing pole mount | Customized bracket | The interface is designed with internal G1½ screws. The screw depth must be more than 23 mm. |
| Wall mount | TR-WE45-A-IN bracket | / |
| Corner mount | TR-WE45-A-IN bracket + TR-UC08-A/B-IN bracket | / |
| Pole mount | TR-WE45-A-IN bracket + TR-UP08-A/B-IN bracket | / |

Zhejiang Uniview Technologies Co., Ltd.

Building No.10, Wanlun Science Park, Jiangling Road 88, Binjiang District, Hangzhou, Zhejiang, China (310051)

Email: overseasbusiness@uniview.com; globalsupport@uniview.com

<http://www.uniview.com>

©2016-2018 Zhejiang Uniview Technologies Co., Ltd. All rights reserved.

*Product specifications and availability are subject to change without notice