

2MP IR Network Indoor Mini PTZ Dome Camera

IPC6412LR-X5P



Key Features

Optics

- Day/night functionality
- Smart IR , up to 30 m (98 ft) IR distance
- Optical glass window with higher light transmittance
- IR anti-reflection window to increase the infrared transmittance
- 2D/3D DNR (Digital Noise Reduction)

Compression

- Ultra 265,H.265, H.264, MJPEG
- Triple streams
- ROI (Region of Interest)

Network

- ONVIF Conformance

Structure

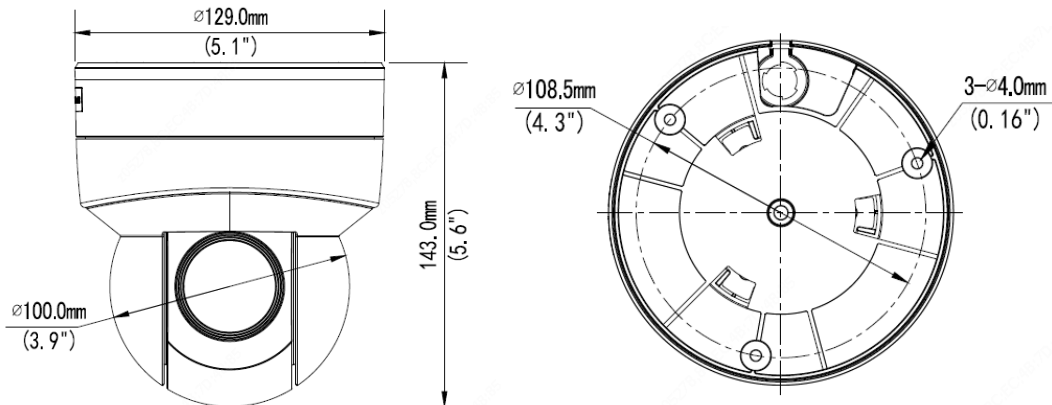
- Support PoE power supply
- Wide temperature range: -10°C to 50°C (14°F to 122°F)
- Wide voltage range of ±25%

Specifications

	IPC6412LR-X5P				
Camera					
Sensor	1/2.9" progressive scan, 2.0 megapixel, CMOS				
Lens	2.7~13.5mm , AF automatic focusing and motorized zoom lens				
DORI Distance	Lens	Detect(m)	Observe(m)	Recognize(m)	Identify(m)
	2.7mm	43.4	17.4	8.7	4.3
	13.5mm	217	86.8	43.4	21.7
Angle of View (H)	29.1°~104.3°				
Angle of View (V)	16°~55.1°				
Angle of View (O)	34.5°~142.9°				
Shutter	Auto/Manual, shutter time: 1 s ~ 1/100000 s				
Minimum Illumination	Colour: 0.03 lux (F1.2,AGC ON) 0 lux with IR				
Iris	F1.2				
Day/Night	IR-cut filter with auto switch (ICR)				
Digital noise reduction	2D/3D DNR				
S/N	>52 dB				
IR Range	UP to 30m (98ft)				
WDR	DWDR				
Video					
Video Compression	Ultra 265,H.265, H.264, MJPEG				
H.264 code profile	Baseline profile, Main Profile				
Frame Rate	Main Stream:1080P (1920×1080):Max. 30 fps; Sub Stream:720P (1920×1080):Max. 30 fps; Third Stream: CIF (352×288): Max. 30 fps				
HLC	Supported				
BLC	Supported				
OSD	Up to 4 OSDs				
Privacy Mask	Up to 4 areas				
ROI	Up to 2 areas				
Motion Detection	Up to 4 areas				
Storage					
Edge Storage	Micro SD, up to 256 GB				
Network Storage	ANR				
Network					
Protocols	IPv4, IGMP, ICMP, ARP, TCP, UDP, DHCP, RTP, RTSP, RTCP, DNS, DDNS, NTP, FTP, UPnP, HTTP, HTTPS, SMTP, SSL				
Compatible Integration	ONVIF(Profile S, Profile G), API				
Pan & Tilt					
Pan Range	0° ~ 350°				
Pan Speed	0.1°/s ~ 60°/s				
	Preset speed: 60°/s				
Tilt Range	0° ~ 90°				

Tilt Speed	0.1° ~ 50°/s
	Preset speed: 50°/s
Number of Presets	1024
Home Position	Supported
Interface	
Network	1 RJ45 10M/100M Base-TX Ethernet
Built-in Mic	Supported
Approvals	
	UL, FCC, CE
General	
Power	DC 12V±25%, PoE (IEEE802.3 af)
	Power consumption: Max 12W
Dimensions (∅ x H)	Φ129mm×143mm(Φ5.07" x5.63")
Weight	0.75kg(1.65lb)
Working Environment	-10°C ~ +50°C (14°F ~ 122°F), Humidity:≤95% RH(non-condensing)
Reset Button	Supported

Dimensions



Zhejiang Uniview Technologies Co., Ltd.

South Tower, Building 10, Wanlun Science Park, 88 Jiangling Road, Hangzhou, P.R.China 310051

Email: overseasbusiness@uniview.com; globalsupport@uniview.com

<http://www.uniview.com>

©2019 Zhejiang Uniview Technologies Co., Ltd. All rights reserved.

*Product specifications and availability are subject to change without notice.