

2MP 30x IR Network PTZ Dome Camera

IPC6222ER-X30(P)-B



Key Features

Optics

- 30X Optical Zoom
- Accurate and fast focusing
- Smart IR, up to 150 m (492ft) IR distance
- Optical glass window with higher light transmittance
- IR anti-reflection window to increase the infrared transmittance
- 120dB true WDR

Compression

- Ultra 265, H.265, H.264, MJPEG
- Embedded smart algorithm
- Triple streams
- Customized OSD

Network

- ONVIF Conformance

Structure

- Innovative snow-removing functionality
- More effective heat dissipation system
- Intelligent temperature control technology
- 6 KV surge protection designed for network interface

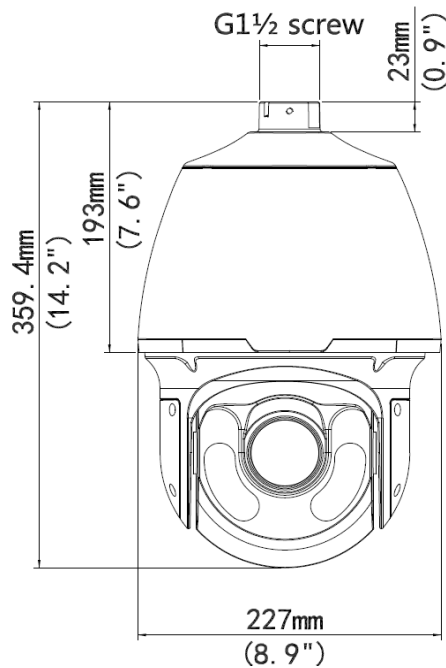
Specifications

	IPC6222ER-X30-B	IPC6222ER-X30P-B			
Camera					
Sensor	1/2.8", progressive scan, 2.0 megapixel, CMOS				
Lens	4.5 ~ 135 mm , AF automatic focusing and motorized zoom lens				
Digital Zoom	16				
Optical Zoom	30				
DORI Distance	Lens	Detect(m)	Observe(m)	Recognize(m)	Identify(m)
	4.5mm	69.8	27.9	14	7
	135mm	2094.8	837.9	419	209.5
Angle of View (H)	71.7°~ 2.4°				
Angle of View (V)	43.4°~1.3°				
Angle of View (O)	88.2°~2.8°				
Shutter	Auto/Manual; shutter time: 1/6 s ~ 1/100000 s				
Minimum Illumination	Colour: 0.01 lux (F1.6, AGC ON) 0 lux with IR				
Iris	Auto/Manual; F1.5 ~ F4.0				
Day/Night	IR-cut filter with auto switch (ICR)				
Digital noise reduction	2D/3D DNR				
S/N	>52dB				
IR Range	Up to 150 m (492 ft)				
Defog	Digital Defog				
WDR	120dB				
Video					
Video Compression	Ultra 265, H.265, H.264, MJPEG				
H.264 code profile	Baseline profile, Main Profile, High Profile				
Frame Rate	Main Stream: 2MP (1920×1080): Max. 30 fps; Sub Stream: 2MP (1920×1080): Max. 30 fps; Third Stream: D1 (720×576): Max. 30 fps				
HLC	Supported				
BLC	Supported				

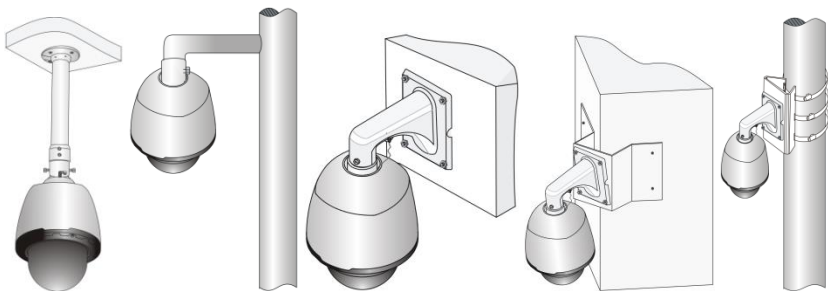
EIS	Supported
OSD	Up to 8 OSDs
Privacy Mask	Up to 24 areas
ROI	Up to 8 areas
Motion Detection	Up to 4 areas
Smart	
Behavior Detection	Intrusion, cross line, motion detection, auto tracking
Intrusion	Enter and loiter in a pre-defined virtual region
cross line	Cross a pre-defined virtual line
motion detection	Moving within a pre-defined virtual region
auto tracking	Tracking the specified target
Recognition	Face detection、 Audio detection
Intelligent Identification	Defocus, Scene Change
Statistical Analysis	People counting
General Function	Watermark, IP Address Filtering, Tampering Alarm, Alarm input, Alarm output, Access Policy, ARP Protection, RTSP Authentication, User Authentication
Audio	
Audio Compression	G.711
Two-way audio	Supported
Suppression	Supported
Sampling Rate	8 KHZ
Storage	
Edge Storage	Micro SD, up to 128 GB
Network Storage	ANR
Network	
Protocols	IPv4, IGMP, ICMP, ARP, TCP, UDP, DHCP, PPPoE, RTP, RTSP, RTCP, DNS, DDNS, NTP, FTP, UPnP, HTTP, HTTPS, SMTP, 802.1x, SNMP
Compatible Integration	ONVIF(Profile S, Profile G), API
Pan & Tilt	
Pan Range	360° (endless)
Pan Speed	0.1°/s ~ 240°/s
	Preset speed: 300°/s
Tilt Range	-15° ~ +90° (auto reverse)
Tilt Speed	0.1° ~ 160°/s
	Preset speed: 240°/s
Number of Presets	1024
Patrol	Up to 16 patrols, up to 32 presets per patrol Note: The total number of patrols and patterns is 16.
Home Position	Supported
Interface	
Audio I/O	Audio cable
	Input: impedance 35 kΩ; amplitude 2 V [p-p]
	Output: impedance 600 Ω; amplitude 2 V [p-p]
Alarm I/O	1/ 1
Network	1RJ45 10M/100M Base-TX Ethernet

Approvals		
	UL, FCC, CE	
General		
Power	24 V AC±25%, 24 V DC±25%	24 V AC±25%, 24 V DC±25%,PoE (PSE Required)
	Power consumption: 9 ~ 42W	
Dimensions(ØxH)	Ø227x359.4 mm (Ø8.9" x 14.2")	
Weight	5.28 kg (11.6lb)	
Working Environment	-40°C ~ +65°C (-40°F ~ 149°F), Humidity:10%~95% RH(non-condensing)	
Ingress Protection	IP66	

Dimensions



Installation



Pendant mount

Standing pole mount

Wall mount

Corner mount

Pole mount

Accessories

Installation mode	Accessories	Description
Pendant mount	TR-CE45-IN bracket	/

Installation mode	Accessories	Description
	Pendant components: TR-UF45-A-IN ceiling plate TR-SE45-IN pendant rod (200mm) TR-SE45-A-IN pendant rod (500mm)	Ceiling plate is optional with different pendant rod for various applications
Standing pole mount	Customized bracket	The interface is designed with internal G1½ screws. The screw depth must be more than 23 mm.
Wall mount	TR-WE45-IN bracket	/
Corner mount	TR-WE45-IN bracket +TR-UC08-A/B-IN bracket	/
Pole mount	TR-WE45-IN bracket +TR-UP08-A/B-IN bracket	/
PoE Power	Accessories	Description
PSE Adapter	PWR-DC5611-P	PSE Adapter (60W) configuration is needed.

Zhejiang Uniview Technologies Co., Ltd.

Building No.10, Wanlun Science Park, Jiangling Road 88, Binjiang District, Hangzhou, Zhejiang, China (310051)

Email: overseasbusiness@uniview.com; globalsupport@uniview.com

<http://www.uniview.com>

©2016 -2018 Zhejiang Uniview Technologies Co., Ltd. All rights reserved.

*Product specifications and availability are subject to change without notice.