

2MP 22x Indoor Network PTZ Dome Camera

IPC6222EI-X22UP-C



Key Features

Optics

- Starlight illumination
- 22x optical zoom
- Accurate and fast focusing

Compression

- Ultra 265, H.265, H.264, MJPEG
- Embedded smart algorithm
- Triple streams
- Customized OSD

Network

- ONVIF Conformance

Structure

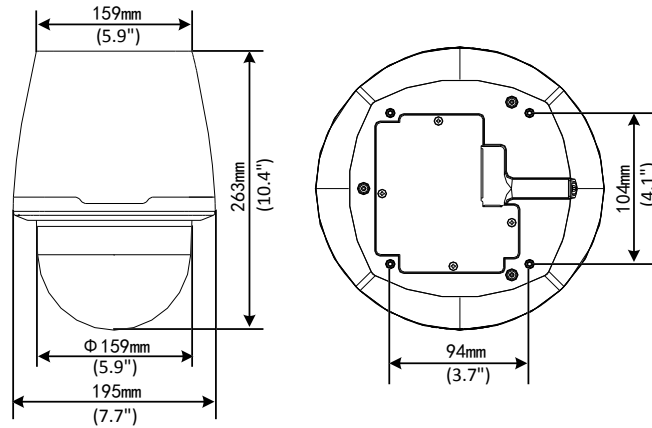
- Fast installation structure design
- Intelligent temperature control technology
- 6 KV surge protection designed for network interface
- IK10 vandal resistant
- IP65

Specifications

| | | | | | |
|----------------------------|--|-----------|------------|--------------|-------------|
| IPC6222EI-X22UP-C | | | | | |
| Camera | | | | | |
| Sensor | 1/2.8", progressive scan, 2.0megapixel, CMOS | | | | |
| Lens | 5.2 ~ 114.4mm, AF automatic focusing and motorized zoom lens | | | | |
| Digital Zoom | 16 | | | | |
| Optical Zoom | 22 | | | | |
| DORI Distance | Lens | Detect(m) | Observe(m) | Recognize(m) | Identify(m) |
| | 5.2mm | 80.7 | 32.3 | 16.1 | 8.1 |
| | 114.4mm | 1775.2 | 710.1 | 355 | 177.5 |
| Angle of View (H) | 55.9°~3.5° | | | | |
| Angle of View (V) | 33.5°~1.6° | | | | |
| Angle of View (O) | 68.8°~4.2° | | | | |
| Shutter | Auto/Manual; shutter time: 1/6 s ~ 1/100000 s | | | | |
| Minimum Illumination | Colour: 0.001 lux (F1.5, AGC ON) B/W: 0.0001 lux(F1.5, AGC ON) | | | | |
| Iris | Auto/Manual; F1.5 ~ F3.0 | | | | |
| Day/Night | IR-cut filter with auto switch (ICR) | | | | |
| Digital noise reduction | 2D/3D DNR | | | | |
| S/N | >52dB | | | | |
| Defog | Digital Defog | | | | |
| WDR | 120dB | | | | |
| Video | | | | | |
| Video Compression | Ultra 265,H.265, H.264, MJPEG | | | | |
| H.264 code profile | Baseline profile, Main Profile, High Profile | | | | |
| Frame Rate | Main Stream:2MP (1920×1080):Max. 30 fps; Sub Stream:2MP (1920×1080):Max. 30 fps; Third Stream: D1 (720×576): Max. 30 fps | | | | |
| HLC | Supported | | | | |
| BLC | Supported | | | | |
| OSD | Up to 8 OSDs | | | | |
| Privacy Mask | Up to 24 areas | | | | |
| ROI | Up to 8 areas | | | | |
| Motion Detection | Up to 4 areas | | | | |
| Smart | | | | | |
| Behavior Detection | Intrusion, cross line, motion detection | | | | |
| Intrusion | Enter and loiter in a pre-defined virtual region | | | | |
| cross line | Cross a pre-defined virtual line | | | | |
| motion detection | Moving within a pre-defined virtual region | | | | |
| Recognition | Face detection、 Audio detection | | | | |
| Intelligent Identification | Defocus, Scene Change | | | | |
| Statistical Analysis | People counting | | | | |
| General Function | Watermark, IP Address Filtering, Tampering Alarm, Alarm input, Alarm output, Access Policy, ARP Protection, RTSP | | | | |

| | |
|------------------------|---|
| | Authentication, User Authentication |
| Audio | |
| Audio Compression | G.711 |
| Two-way audio | Supported |
| Suppression | Supported |
| Sampling Rate | 8 KHZ |
| Storage | |
| Edge Storage | Micro SD, up to 128 GB |
| Network Storage | ANR |
| Network | |
| Protocols | IPv4, IGMP, ICMP, ARP, TCP, UDP, DHCP, PPPoE, RTP, RTSP, RTCP, DNS, DDNS, NTP, FTP, UPnP, HTTP, HTTPS, SMTP, 802.1x, SNMP |
| Compatible Integration | ONVIF(Profile S, Profile G), API |
| Pan & Tilt | |
| Pan Range | 360° (endless) |
| Pan Speed | 0.1°/s ~ 400°/s |
| | Preset speed:540°/s |
| Tilt Range | -18° ~ +90° (auto reverse) |
| Tilt Speed | 0.1° ~ 240°/s |
| | Preset speed: 400°/s |
| Number of Presets | 1024 |
| Patrol | Preset patrol, route patrol, recorded patrol |
| Home Position | Supported |
| Interface | |
| Audio I/O | Audio cable |
| | 1 Input: impedance 35 kΩ; amplitude 2 V [p-p] |
| | 1 Output: impedance 600 Ω; amplitude 2 V [p-p] |
| Alarm I/O | 2/ 1 |
| Serial Port | 1 RS485 |
| Network | 1 RJ45 10M/100M Base-TX Ethernet |
| Video Output | 1 BNC, impedance 75 Ω; amplitude 1 V [p-p] |
| Approvals | |
| | UL, FCC, CE |
| General | |
| Power | 24 V AC±25%, 24 V DC±25%, PoE (IEEE802.3 at) |
| | Power consumption: 8~ 20W |
| Dimensions(ØxH) | Ø195 x 263 mm (Ø7.7" x 10.4") |
| Weight | 3.2kg(7.1lb) |
| Working Environment | -20°C ~ +50°C (-4°F ~ 122°F), Humidity:10%~ 95% RH(non-condensing) |
| Ingress Protection | IP65 |
| Vandal Resistant | IK10 |

Dimensions



Accessories

| Installation mode | Accessories | Description |
|----------------------|---|-------------|
| In-ceiling mount | TR-FM200-IN | / |
| Indoor pendent mount | TR-UF45-C-IN+TR-CE45-IN | / |
| Indoor Wall mount | TR-UF45-C-IN+TR-WE45-IN(shorter bracket) TR-UF45-C-IN+TR-WE45-A-IN(longer bracket) TR-UF45-C-IN+TR-WE45-B-IN(sawn neck bracket) | / |

Zhejiang Uniview Technologies Co., Ltd.

South Tower, Building 10, Wanlun Science Park, 88 Jiangling Road, Hangzhou, P.R.China 310051

Email: overseasbusiness@uniview.com; globalsupport@uniview.com

<http://www.uniview.com>

©2017-2018 Zhejiang Uniview Technologies Co., Ltd. All rights reserved.

*Product specifications and availability are subject to change without notice.