

# 4MP WDR (Motorized) VF Eyeball Network IR Camera

IPC3634ER3-DPZ28



## Key Features

### Optics

- Day/night functionality
- Optical glass window with higher light transmittance
- IR anti-reflection window to increase the infrared transmittance
- Smart IR, up to 30 m (98 ft) IR distance
- 2D/3D DNR (Digital Noise Reduction)

### Compression

- Ultra 265, H.265, H.264, MJPEG
- Embedded smart algorithm
- Triple streams
- 9:16 corridor mode

### Network

- ONVIF Conformance

### Structure

- Support PoE power supply

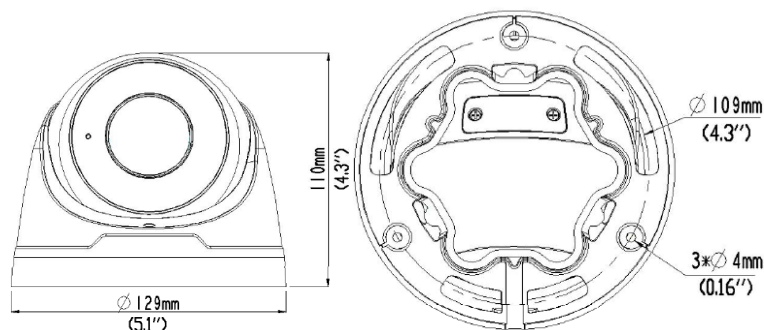
- Wide temperature range: -40°C to 60°C (-40°F to 140°F)
- Wide voltage range of ±25%
- IP67

## Specifications

IPC3634ER3-DPZ28																
<b>Camera</b>																
Sensor	1/3", progressive scan, 4.0 megapixel, CMOS															
Lens	2.8~12 mm, AF automatic focusing and motorized zoom lens															
DORI Distance	<table border="1"> <thead> <tr> <th>Lens</th> <th>Detect(m)</th> <th>Observe(m)</th> <th>Recognize(m)</th> <th>Identify(m)</th> </tr> </thead> <tbody> <tr> <td>2.8mm</td> <td>63</td> <td>25.2</td> <td>12.6</td> <td>6.3</td> </tr> <tr> <td>12mm</td> <td>270</td> <td>108</td> <td>54</td> <td>27</td> </tr> </tbody> </table>	Lens	Detect(m)	Observe(m)	Recognize(m)	Identify(m)	2.8mm	63	25.2	12.6	6.3	12mm	270	108	54	27
	Lens	Detect(m)	Observe(m)	Recognize(m)	Identify(m)											
	2.8mm	63	25.2	12.6	6.3											
12mm	270	108	54	27												
Angle of view(H)	91.0°~27°															
Angle of View (V)	54.4°~13.7°															
Angle of View (O)	118.3°~33.2°															
Adjustment angle	<table border="1"> <tr> <td>Pan: 0°~360°</td> <td>Tilt: 0°~90°</td> <td>Rotate: 0°~360°</td> </tr> </table>	Pan: 0°~360°	Tilt: 0°~90°	Rotate: 0°~360°												
Pan: 0°~360°	Tilt: 0°~90°	Rotate: 0°~360°														
Shutter	Auto/Manual, 1/6~1/100000 s															
Minimum Illumination	Colour: 0.01 Lux (F1.4, AGC ON) 0 Lux with IR															
Day/Night	IR-cut filter with auto switch (ICR)															
Digital noise reduction	2D/3D DNR															
S/N	>52dB															
IR Range	Up to 30m (98 ft) IR range															
Defog	Digital Defog															
WDR	120dB															
<b>Video</b>																
Video Compression	Ultra 265, H.265, H.264, MJPEG															
H.264 code profile	Baseline profile, Main Profile, High Profile															
Frame Rate	Main Stream: 4MP (2592×1520): Max. 20 fps , 4MP (2560×1440): Max. 25 fps , 3MP (2048×1520): Max. 30 fps; Sub Stream: 2MP (1920×1080): Max. 30 fps; Third Stream: D1(720×576) : Max. 30fps															
HLC	Supported															
BLC	Supported															
9:16 Corridor Mode	Supported															
OSD	Up to 8 OSDs															
Privacy Mask	Up to 8 areas															
ROI	Up to 8 areas															
Motion Detection	Up to 4 areas															
<b>Smart</b>																
Behavior Detection	Intrusion, cross line, motion detection															
Intrusion	Enter and loiter in a pre-defined virtual region															
cross line	Cross a pre-defined virtual line															
motion detection	Moving within a pre-defined virtual region															

Recognition	Face detection、Audio detection
Intelligent Identification	Defocus, Scene Change
Statistical Analysis	People counting
General Function	Watermark, IP Address Filtering, Tampering Alarm, Access Policy, ARP Protection, RTSP Authentication, User Authentication
<b>Audio</b>	
Audio Compression	G.711
Suppression	Supported
Sampling Rate	8 KHZ
<b>Storage</b>	
Edge Storage	Micro SD, up to 128 GB
Network Storage	ANR
<b>Network</b>	
Protocols	IPv4, IGMP, ICMP, ARP, TCP, UDP, DHCP, PPPoE, RTP, RTSP, RTCP, DNS, DDNS, NTP, FTP, UPnP, HTTP, HTTPS, SMTP, 802.1x, SNMP
Compatible Integration	ONVIF(Profile S, Profile G), API
<b>Interface</b>	
Built-in Mic	Supported
Network	1 RJ45 10M/100M Base-TX Ethernet
<b>Approvals</b>	
	UL, FCC, CE
<b>General</b>	
Power	12 V DC±25%, PoE (IEEE802.3 af)
	Power consumption: Max 8.16W
Dimensions (Ø x H)	Ø129 x 110 mm (Ø5.08" x 4.3")
Weight	0.67 kg (1.48lb)
Working Environment	-40°C ~ +60°C (-40°F ~ 140°F), Humidity:10%~95% RH(non-condensing)
Ingress Protection	IP67
Reset Button	Supported

## Dimensions



### Zhejiang Uniview Technologies Co., Ltd.

South Tower, Building 10, Wanlun Science Park, 88 Jiangling Road, Hangzhou, P.R.China 310051

Email: [overseasbusiness@uniview.com](mailto:overseasbusiness@uniview.com); [globalsupport@uniview.com](mailto:globalsupport@uniview.com)

<http://www.uniview.com>

©2016-2017 Zhejiang Uniview Technologies Co., Ltd. All rights reserved.

\*Product specifications and availability are subject to change without notice.