

5MP WDR Starlight Network IR Fixed Dome Camera

IPC3615ER3-ADUPF28 (40)M



Key Features

Optics

- Starlight illumination
- Day/night functionality
- Up to 120 dB WDR (Wide Dynamic Range)
- Smart IR, up to 30 m (98 ft) IR distance

Compression

- Ultra 265, H.265, H.264, MJPEG
- Embedded smart algorithm
- Triple streams
- 9:16 corridor format

Network

- ONVIF Conformance

Structure

- Wide temperature range: -30°C to 60°C (-22°F to 140°F)
- Wide voltage range of $\pm 25\%$
- 4 KV surge protection designed for network interface

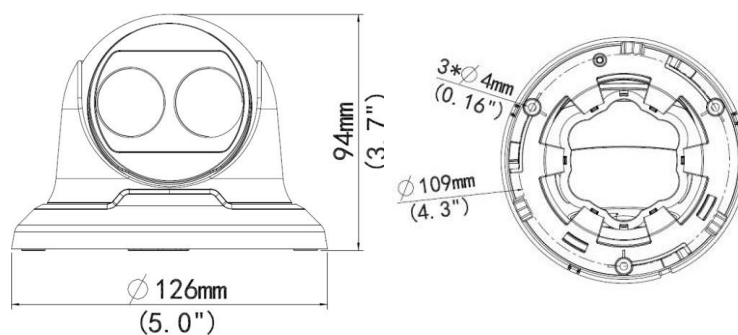
- IP67

Specifications

| | IPC3615ER3-ADUPF28M | IPC3615ER3-ADUPF40M | | | |
|-------------------------|--|---------------------|--------------|--------------|-----------------|
| Camera | | | | | |
| Sensor | 1/2.7", progressive scan, 5.0 megapixel, CMOS | | | | |
| Lens | 2.8mm@F1.6 | | | 4.0mm@F1.6 | |
| DORI Distance | Lens | Detect(m) | Observe(m) | Recognize(m) | Identify(m) |
| | 2.8mm | 63 | 25.2 | 12.6 | 6.3 |
| | 4mm | 90 | 36 | 18 | 9 |
| Angle of view(H) | 105.3° | | | 79.7° | |
| Angle of View (V) | 69.5° | | | 51.8° | |
| Angle of View (O) | 136.8° | | | 98.1° | |
| Adjustment angle | Pan: 0°~360° | | Tilt: 0°~90° | | Rotate: 0°~360° |
| Shutter | Auto/Manual, 1/6~1/100000 s | | | | |
| Minimum Illumination | Colour: 0.005Lux (F1.6, AGC ON) 0 Lux with IR | | | | |
| Day/Night | IR-cut filter with auto switch (ICR) | | | | |
| Digital noise reduction | 2D/3D DNR | | | | |
| S/N | >52 dB | | | | |
| IR Range | Up to 30m (98 ft) IR range | | | | |
| Defog | Digital Defog | | | | |
| WDR | 120dB | | | | |
| Video | | | | | |
| Video Compression | Ultra 265,H.265, H.264, MJPEG | | | | |
| H.264 code profile | Baseline profile, Main Profile, High Profile | | | | |
| Frame Rate | Main Stream: 5MP(2592 x 1944): Max. 20 fps, 4MP(2560 x 1440): Max. 30 fps, 3MP(2048x 1536): Max. 30 fps, 2MP(1920 x 1080): Max. 30 fps; Sub Stream:2MP(1920 x 1080): Max. 30 fps; Third Stream: D1(720 x 576): Max.30 fps; | | | | |
| HLC | Supported | | | | |
| BLC | Supported | | | | |
| 9:16 Corridor Mode | Supported | | | | |
| OSD | Up to 8 OSDs | | | | |
| Privacy Mask | Up to 8 areas | | | | |
| ROI | Up to 8 areas | | | | |
| Motion Detection | Up to 4 areas | | | | |
| Smart | | | | | |
| Behavior Detection | Intrusion, cross line, motion detection | | | | |
| Intrusion | Enter and loiter in a pre-defined virtual region | | | | |
| cross line | Cross a pre-defined virtual line | | | | |
| motion detection | Moving within a pre-defined virtual region | | | | |
| Recognition | Face detection、 Audio detection | | | | |

| | |
|----------------------------|---|
| Intelligent Identification | Defocus, Scene Change |
| Statistical Analysis | People counting |
| General Function | Watermark, IP Address Filtering, Tampering Alarm, Access Policy, ARP Protection, RTSP Authentication, User Authentication |
| Audio | |
| Audio Compression | G.711 |
| Suppression | Supported |
| Sampling Rate | 8 KHZ |
| Network | |
| Protocols | IPv4, IGMP, ICMP, ARP, TCP, UDP, DHCP, PPPoE, RTP, RTSP, RTCP, DNS, DDNS, NTP, FTP, UPnP, HTTP, HTTPS, SMTP, 802.1x, SNMP |
| Compatible Integration | ONVIF(Profile S), API |
| Interface | |
| Network | 1 RJ45 10M/100M Base-TX Ethernet |
| Built-in Mic | Supported |
| Approvals | |
| | UL, FCC, CE |
| General | |
| Power | 12 V DC±25%, PoE (IEEE802.3 af) |
| | Power consumption: Max 8.9W |
| Dimensions (Ø x H) | Ø126 x 94 mm (Ø5.0" x 3.7") |
| Weight | 0.41 kg(0.90 lb) |
| Operating Conditions | -30°C ~ +60°C (-22°F ~ 140°F), Humidity :10%~95% RH(non-condensing) |
| Ingress Protection | IP67 |

Dimensions



Zhejiang Uniview Technologies Co.,Ltd.

South Tower, Building 10, Wanlun Science Park, 88 Jiangling Road, Hangzhou, P.R.China 310051

Email: overseasbusiness@uniview.com; globalsupport@uniview.com

<http://www.uniview.com>

©2018 Zhejiang Uniview Technologies Co.,Ltd. All rights reserved.

*Product specifications and availability are subject to change without notice.