

4MP WDR Vandal-resistant Network IR Fixed Dome Camera

IPC324ER3-DVPF28(36)(60)



Key Features

Optics

- Day/night functionality
- Smart IR, up to 30 m (98 ft) IR distance
- Up to 120 dB WDR (Wide Dynamic Range)
- 2D/3D DNR (Digital Noise Reduction)

Compression

- Ultra 265, H.265, H.264, MJPEG
- Embedded smart algorithm
- ROI (Region of Interest)
- Customized OSD

Network

- ONVIF Conformance

Structure

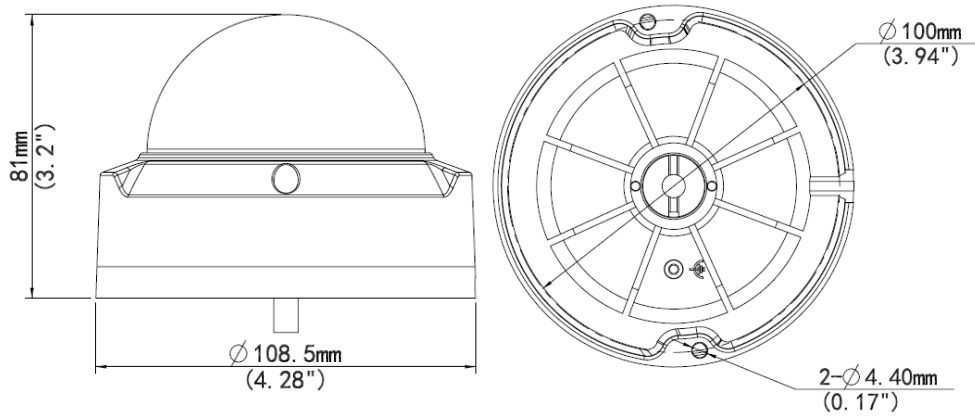
- Wide temperature range: -35°C to 60°C (-31°F to 140°F)
- Wide input voltage range of $\pm 25\%$
- IK10 vandal resistant
- IP67

Specifications

| | IPC324ER3-DVVPF28 | IPC324ER3-DVVPF36 | | | IPC324ER3-DVVPF60 |
|----------------------------|---|-------------------|--------------|--------------|-------------------|
| Camera | | | | | |
| Sensor | 1/3", progressive scan, 4.0 megapixel, CMOS | | | | |
| Lens | 2.8mm@F2.0 | 3.6mm@F2.0 | | | 6.0mm@F2.0 |
| DORI Distance | Lens | Detect(m) | Observe(m) | Recognize(m) | Identify(m) |
| | 2.8mm | 63 | 25.2 | 12.6 | 6.3 |
| | 3.6mm | 81 | 32.4 | 16.2 | 8.1 |
| | 6 mm | 135 | 54 | 27 | 13.5 |
| Angle of View (H) | 104.4° | 86.4° | | | 49.9° |
| Angle of View (V) | 67° | 53.2° | | | 32.9° |
| Angle of View (O) | 135.7° | 112.3° | | | 61.4° |
| Adjustment angle | Pan: 0°~360° | | Tilt: 0°~90° | | Rotate: 0°~360° |
| Shutter | Auto/Manual, 1/6~1/100000 s | | | | |
| Minimum Illumination | Colour: 0.03 Lux (F2.0, AGC ON) 0 Lux with IR | | | | |
| Day/Night | IR-cut filter with auto switch (ICR) | | | | |
| Digital noise reduction | 2D/3D DNR | | | | |
| S/N | >55 dB | | | | |
| IR Range | Up to 30m (98 ft) IR range | | | | |
| Defog | Digital Defog | | | | |
| WDR | 120dB | | | | |
| Video | | | | | |
| Video Compression | Ultra 265, H.265, H.264, MJPEG | | | | |
| H.264 code profile | Baseline profile, Main Profile, High Profile | | | | |
| Frame Rate | Main Stream: 4MP (2592×1520): Max. 20 fps , 4MP (2560×1440): Max. 25 fps , 3MP (2048×1520): Max. 30 fps; Sub Stream: 2MP (1920×1080): Max. 30 fps; Third Stream: D1(720×576) : Max. 30fps | | | | |
| HLC | Supported | | | | |
| BLC | Supported | | | | |
| 9:16 Corridor Mode | Supported | | | | |
| OSD | Up to 8 OSDs | | | | |
| Privacy Mask | Up to 8 areas | | | | |
| ROI | Up to 8 areas | | | | |
| Motion Detection | Up to 4 areas | | | | |
| Smart | | | | | |
| Behavior Detection | Intrusion, cross line, motion detection | | | | |
| Intrusion | Enter and loiter in a pre-defined virtual region | | | | |
| cross line | Cross a pre-defined virtual line | | | | |
| motion detection | Moving within a pre-defined virtual region | | | | |
| Recognition: | Face detection、 Audio detection | | | | |
| Intelligent Identification | Defocus, Scene Change | | | | |

| | |
|---------------------------------|--|
| Statistical Analysis | People counting |
| General Function | Watermark, IP Address Filtering, Tampering Alarm, Alarm input, Alarm output, Access Policy, ARP Protection, RTSP Authentication, User Authentication |
| Audio | |
| Audio Compression | G.711 |
| Two-way audio | Supported |
| Suppression | Supported |
| Sampling Rate | 8 KHZ |
| Storage | |
| Edge Storage | Micro SD, up to 128 GB |
| Network Storage | ANR |
| Network | |
| Protocols | IPv4, IGMP, ICMP, ARP, TCP, UDP, DHCP, PPPoE, RTP, RTSP, RTCP, DNS, DDNS, NTP, FTP, UPnP, HTTP, HTTPS, SMTP, 802.1x, SNMP |
| Compatible Integration | ONVIF(Profile S, Profile G), API |
| Interface | |
| Audio I/O | Input: impedance 35 k Ω ; amplitude 2 V [p-p] |
| | Output: impedance 600 Ω ; amplitude 2 V [p-p] |
| Alarm I/O | 1/ 1 |
| Network | 1 RJ45 10M/100M Base-TX Ethernet |
| Approvals | |
| | UL, FCC, CE |
| General | |
| Power | 12 V DC \pm 25%, PoE (IEEE802.3 af) |
| | Power consumption: Max 5.5W |
| Dimensions (\varnothing x H) | \varnothing 108.5 x 81 mm (\varnothing 4.28" x 3.2") |
| Weight | 0.45 kg (0.99 lb) |
| Working Environment | -35°C ~ +60°C (-31°F ~ 140°F), Humidity:10%~95% RH(non-condensing) |
| Ingress Protection | IP67 |
| Vandal Resistant | IK10 |

Dimensions



Accessories

| Installation mode | Accessories | Description |
|-------------------|--|-------------|
| Ceiling mount | Mounting pedestal is included in the Product package | \ |

Zhejiang Uniview Technologies Co., Ltd.

South Tower, Building 10, Wanlun Science Park, 88 Jiangling Road, Hangzhou, P.R.China 310051

Email: overseasbusiness@uniview.com; globalsupport@uniview.com

<http://www.uniview.com>

©2016-2018 Zhejiang Uniview Technologies Co., Ltd. All rights reserved.

*Product specifications and availability are subject to change without notice.