

4K Mini Fixed Bullet Network Camera

IPC2128SR3-DPF40(60)



Key Features

Optics

- Day/night functionality
- Smart IR , up to 30 m (98 ft) IR distance
- Optical glass window with higher light transmittance
- IR anti-reflection window to increase the infrared transmittance
- 2D/3D DNR (Digital Noise Reduction)
- Day/night functionality
- Up to 120 dB WDR (Wide Dynamic Range)

Compression

- Ultra 265,H.265, H.264, MJPEG
- Embedded smart algorithm
- Triple streams
- 9:16 corridor format

Network

- ONVIF Conformance

Structure

- Wide temperature range: -30°C to 60°C (-22°F to 140°F)

Wide voltage range of $\pm 25\%$

IP67

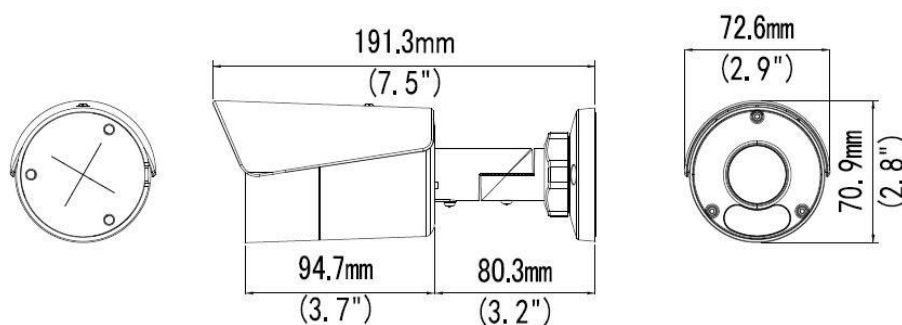
3-Axis

Specifications

	IPC2128SR3-DPF40	IPC2128SR3-DPF60			
Camera					
Sensor	1/2.5", 8.0 megapixel, progressive scan, CMOS				
Lens	4.0mm@ F2.0		6.0mm@ F2.0		
DORI Distance	Lens	Detect(m)	Observe(m)	Recognize(m)	Identify(m)
	4.0mm	72	28.8	14.4	7.2
	6.0mm	108	43.2	21.6	10.8
Angle of View(H)	91.6°		54.2°		
Angle of view(V)	47.2°		32.5°		
Angle of view(O)	112.7°		66.7°		
Adjustment Range	Pan: 0°~360°		Tilt: 0° ~ 90°		Rotation: 0° ~ 360°
Shutter	Auto/Manual, 1~1/100000 s				
Minimum Illumination	Colour: 0.001 Lux (F2.0, AGC ON) 0 Lux with IR on				
Day/Night	IR-cut filter with auto switch (ICR)				
Digital noise reduction	2D/3D DNR				
S/N	>52dB				
IR Range	Up to 30m (98 ft) IR range				
Defog	Digital Defog				
WDR	120dB				
Video					
Video Compression	Ultra 265, H.265, H.264, MJPEG				
H.264 code profile	Baseline profile, Main Profile, High Profile				
Frame Rate	Main Stream:8MP (3840*2160): Max. 15 fps, Sub Stream:1080P (1920*1080): Max. 30 fps; Third Stream:D1(720*576) : Max. 30 fps				
9:16 Corridor Mode	Supported				
HLC	Supported				
BLC	Supported				
OSD	Up to 8 OSDs				
Privacy Mask	Up to 8 areas				
ROI	Up to 8 areas				
Motion Detection	Up to 4 areas				
Smart					
Behavior Detection	Intrusion, cross line, motion detection				
Intrusion	Enter and loiter in a pre-defined virtual region				
cross line	Cross a pre-defined virtual line				

motion detection	Moving within a pre-defined virtual region
Recognition	Face detection
Intelligent Identification	Defocus, Scene Change, Object Left, Object Moving
Statistical Analysis	People counting
General Function	Watermark, IP Address Filtering, Tampering Alarm, Access Policy, ARP Protection, RTSP Authentication, User Authentication
Network	
Protocols	IPv4, IGMP, ICMP, ARP, TCP, UDP, DHCP, RTP, RTSP, RTCP, DNS, DDNS, NTP, FTP, UPnP, HTTP, HTTPS, SMTP, SSL
Compatible Integration	ONVIF(Profile S, Profile T), API
Interface	
Network	1 RJ45 10M/100M Base-TX Ethernet
Approvals	
	UL, FCC, CE
General	
Power	12 V DC±25%, PoE (IEEE802.3 af)
	Power consumption: Max 8 W
Dimensions (L × W × H)	191.3×72.6×70.9mm (7.5"×2.9"×2.8")
Weight	0.5 kg (1.1 lb)
Working Environment	-30°C ~ 60°C (-22° F ~ 140° F), Humidity : 10%~90% RH(non-condensing)
Ingress Protection	IP67

Dimensions



Zhejiang Uniview Technologies Co., Ltd.

Building No.10, Wanlun Science Park, Jiangling Road 88, Binjiang District, Hangzhou, Zhejiang, China (310051)

Email: overseasbusiness@uniview.com; globalsupport@uniview.com

<http://www.uniview.com>

©2018 Zhejiang Uniview Technologies Co., Ltd. All rights reserved.

*Product specifications and availability are subject to change without notice.