

4K Ultra-HD Network IR PTZ Dome Camera

IPC6248SR-X22



Key Features

Optics

- Accurate and fast focusing
- 22X Optical Zoom
- Fourth-generation infrared technology, more than 150m (492ft) IR distance
- IR anti-reflection window to increase the infrared transmittance
- Optical glass window with higher light transmittance
- Smart IR

Compression

- 12 Megapixel image
- H.264 High Profile
- Triple streams
- Customized OSD

Network

- Network auto-adaptability
- ONVIF Conformance

Structure

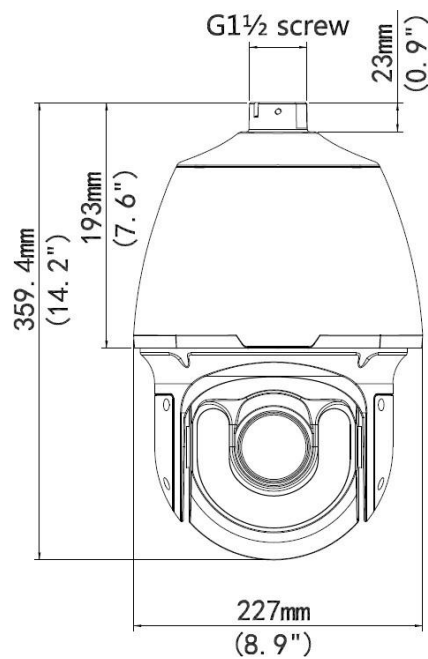
- Innovative snow-removing functionality
- Intelligent temperature control technology
- More effective heat dissipation system
- 6 KV surge protection designed for network interface

Specifications

Camera	IPC6248SR-X22
Sensor	1/1.7" progressive scan, 12 megapixel, CMOS
Focus/Zoom	6.5~ 143 mm (22x optical zoom)
Angle of View (H)	72° (wide) ~ 3.07° (tele)
Iris	Auto/Manual, F1.5 ~ F3.4
Shutter	Auto/Manual, shutter time: 1/6 s ~ 1/8000 s
Minimum Illumination	Colour: 0.02 lux (F1.5, 50IRE) 0 lux with IR
S/N	>55 dB
Day/Night	IR-cut filter with auto switch (ICR)
Video	
Video Compression	H.264
Frame Rate	12MP (4000×3000): Max. 20 fps; 4K (3840×2160): Max. 30 fps
Video Streaming	Triple
OSD	Time OSD, custom OSD
Privacy Mask	Supported
Audio	
Audio Compression	G.711
Two-way Audio	Supported
Storage	
Edge Storage	Micro SD, up to 128 GB
Network	
Protocols	L2TP, IPv4, IGMP, ICMP, ARP, TCP, UDP, DHCP, RTP, RTSP, DNS, DDNS, NTP, FTP, UPnP, HTTP, SNMP, SIP
Compatible Integration	ONVIF, API
Pan & Tilt	
Pan Range	360°
Pan Speed	0.1°/s ~ 240°/s
	Preset speed: 300°/s
Tilt Range	-15° ~ +90° (auto reverse)
Tilt Speed	0.1° ~ 160°/s
	Preset speed: 240°/s
Number of Preset	256
Patrol	Preset patrol, route patrol, recorded patrol

Home Position	Supported
Interface	
Audio I/O	Audio interface
	1 Input: impedance 35 k Ω ; amplitude 2 V *p-p]
	1 Output: impedance 600 Ω ; amplitude 2 V *p-p]
Alarm I/O	2 alarm inputs, 1 alarm output
Serial Port	1 RS485
Network	10M/100M Base-TX adaptive Ethernet
Video Output	1 BNC, impedance 75 Ω ; amplitude 1 V *p-p]
Approvals	
	UL, FCC, CE
General	
Power	24 V AC \pm 25% (default power supply), 24 V DC \pm 25%
	Power consumption: 14 W ~ 48 W
	Overvoltage/overcurrent protection
Dimensions (\varnothing x H)	\varnothing 227 mm x 359.4 mm (\varnothing 8.9" x 14.2")
Weight	5.5 kg (12.1 lb)
Working Environment	-40°C ~ +70°C (-40°F ~ 158°F), Humidity \leq 90% RH(non-condensing)
Ingress Protection	IP66

Dimensions



Accessories

Installation mode	Accessories	Description
Pendant mount	TR-CE45-IN bracket	/
	Pendant components: TR-UF45-A-IN indoor ceiling plate TR-UF45-B-IN outdoor ceiling plate TR-SE45-IN pendant rod (200mm) TR-SE45-A-IN pendant rod (500mm)	Ceiling plate is optional with different pendant rod for various applications
Standing pole mount	Customized bracket	The interface is designed with internal G1½ screws. The screw depth must be more than 23 mm.
Wall mount	TR-WE45-IN bracket	/
Corner mount	TR-WE45-IN bracket + TR-UC08-A-IN bracket	/
Pole mount	TR-WE45-IN bracket + TR-UP08-A-IN bracket	/

Zhejiang Uniview Technologies Co., Ltd.

South Tower, Building 10, Wanlun Science Park, 88 Jiangling Road, Hangzhou, P.R.China 310051

Email: overseasbusiness@uniview.com; globalsupport@uniview.com

<http://www.uniview.com>

©2015 Zhejiang Uniview Technologies Co., Ltd. All rights reserved.

*Product specifications and availability are subject to change without notice.