

# 2MP 38x Starlight IR Network PTZ Dome Camera

IPC6852SR-X38UG



## Key Features

### Optics

- Starlight illumination
- Accurate and fast focusing
- Smart IR, up to 250 m (820ft) IR distance
- Optical glass window with higher light transmittance
- IR anti-reflection window to increase the infrared transmittance

### Compression

- Ultra 265, H.265, H.264, MJPEG
- Embedded smart algorithm
- Triple streams
- Customized OSD

### Network

- ONVIF Conformance
- Optional network interfaces with Ethernet RJ45 and optical SFP

## Structure

- Innovative snow-removing functionality
- More effective heat dissipation system
- Intelligent temperature control technology
- IP66

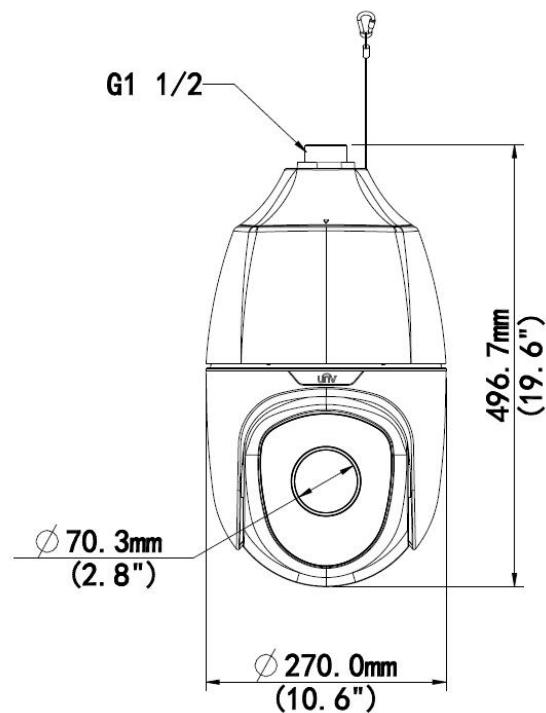
## Specifications

IPC6852SR-X38UG																
<b>Camera</b>																
Sensor	1/1.8", progressive scan, 2.0megapixel, CMOS															
Lens	5.7 ~ 216.6 mm, AF automatic focusing and motorized zoom lens															
Digital Zoom	16															
Optical Zoom	38															
DORI Distance	<table border="1"> <thead> <tr> <th>Lens</th> <th>Detect(m)</th> <th>Observe(m)</th> <th>Recognize(m)</th> <th>Identify(m)</th> </tr> </thead> <tbody> <tr> <td>5.7mm</td> <td>68.4</td> <td>27.4</td> <td>17.7</td> <td>6.8</td> </tr> <tr> <td>216.6mm</td> <td>2599.2</td> <td>1039.7</td> <td>519.8</td> <td>259.9</td> </tr> </tbody> </table>	Lens	Detect(m)	Observe(m)	Recognize(m)	Identify(m)	5.7mm	68.4	27.4	17.7	6.8	216.6mm	2599.2	1039.7	519.8	259.9
	Lens	Detect(m)	Observe(m)	Recognize(m)	Identify(m)											
	5.7mm	68.4	27.4	17.7	6.8											
216.6mm	2599.2	1039.7	519.8	259.9												
Angle of View (H)	58.4°~2.1°															
Angle of View (V)	42.6°~1.3°															
Angle of View (O)	71.8°~2.4°															
Shutter	Auto/Manual; shutter time: 1 ~ 1/100000 s															
Minimum Illumination	Colour: 0.001Lux (F1.5, AGC ON) 0 Lux with IR															
Iris	Auto/Manual; F1.5 ~ F4.5															
Day/Night	IR-cut filter with auto switch (ICR)															
Digital noise reduction	2D/3D DNR															
S/N	>52dB															
IR Range	UP to 250m (820ft)															
Defog	Optical Defog & Digital Defog															
WDR	120dB															
<b>Video</b>																
Video Compression	Ultra 265,H.265, H.264, MJPEG															
H.264 code profile	Baseline profile, Main Profile, High Profile															
Frame Rate	Main Stream:2MP (1920×1080):Max. 60 fps; Sub Stream:2MP (1920×1080):Max. 60 fps; Third Stream: D1 (720×576): Max. 60 fps															
HLC	Supported															
BLC	Supported															
EIS	Supported															
OSD	Up to 8 OSDs															
Privacy Mask	Up to 24 areas															

ROI	Up to 8 areas
Motion Detection	Up to 4 areas
<b>Smart</b>	
Behavior Detection	Intrusion, cross line, motion detection, Auto tracking
Intrusion	Enter and loiter in a pre-defined virtual region
cross line	Cross a pre-defined virtual line
motion detection	Moving within a pre-defined virtual region
auto tracking	Tracking the specified target
Recognition	Face detection、Audio detection
Intelligent Identification	Defocus, Scene Change, Object Left, Object Moving
Statistical Analysis	People counting
General Function	Watermark, IP Address Filtering, Tampering Alarm, Alarm input, Alarm output, Access Policy, ARP Protection, RTSP Authentication, User Authentication
<b>Audio</b>	
Audio Compression	G.711
Two-way audio	Supported
Suppression	Supported
Sampling Rate	8 KHZ
<b>Storage</b>	
Edge Storage	Micro SD, up to 256 GB
Network Storage	ANR
<b>Network</b>	
Protocols	IPv4, IGMP, ICMP, ARP, TCP, UDP, DHCP, PPPoE, RTP, RTSP, RTCP, DNS, DDNS, NTP, FTP, UPnP, HTTP, HTTPS, SMTP, 802.1x, SNMP
Compatible Integration	ONVIF(Profile S, Profile G, Profile T),API
<b>Pan &amp; Tilt</b>	
Pan Range	360° (endless)
Pan Speed	0.1°/s ~ 240°/s
	Preset speed: 300°/s
Tilt Range	-20° ~ +90° (auto reverse)
Tilt Speed	0.1° ~ 160°/s
	Preset speed: 240°/s
Number of Presets	1024
Patrol	Preset patrol, route patrol, recorded patrol
Home Position	Supported
<b>Interface</b>	
Audio I/O	Audio cable
	Input: impedance 35 kΩ; amplitude 2 V [p-p]
	Output: impedance 600 Ω; amplitude 2 V [p-p]
Alarm I/O	2 / 1
Serial Port	1 RS485
Network	1 RJ4510M/100M/1000M Base-TX Ethernet SFPBase-TX Ethernet
Video Output	1 BNC, impedance 75 Ω; amplitude 1 V [p-p]

General	
Power	24 V AC (Default) $\pm 25\%$ , 24 V DC $\pm 25\%$
	Power consumption: 16~51W
Dimensions( $\Phi \times H$ )	$\Phi 270 \times 496.7\text{mm}$ ( $\Phi 10.6'' \times 19.6''$ )
Weight	9.69 kg (21.4 lb)
Working Environment	$-40^{\circ}\text{C} \sim +70^{\circ}\text{C}$ ( $-40^{\circ}\text{F} \sim 158^{\circ}\text{F}$ ), Humidity: 10%~90% RH(non-condensing)
Ingress Protection	IP66
Reset Button	Supported

## Dimensions



### Zhejiang Uniview Technologies Co., Ltd.

Building No.10, Wanlun Science Park, Jiangling Road 88, Binjiang District, Hangzhou, Zhejiang, China (310051)

Email: [overseasbusiness@uniview.com](mailto:overseasbusiness@uniview.com); [globalsupport@uniview.com](mailto:globalsupport@uniview.com)

<http://www.uniview.com>

©2018Zhejiang Uniview Technologies Co., Ltd. All rights reserved.

\*Product specifications and availability are subject to change without notice.