

AHD3612SR3-F28

3 in 1AHD 2.0MP Wheelk Camera HE Series



Features :

- 2.0MP 1/2.7" low illumination CMOS sensor;
- HD 1080P Resolution, Image clear, Delicate;
- HD lens: 2.8mm, 3.6mm , 6mm optional;
- Day/Night(Auto ICR);
- Auto electronic shutter time;
- IR range: 24 led lambs 20m-30m;
- Ingress Protection : IP67;
- 500 m transmission without delay;
- Support AHD, TVI, CVI
- Standard coaxial control
- Support coaxial upgrade
- Support XVI

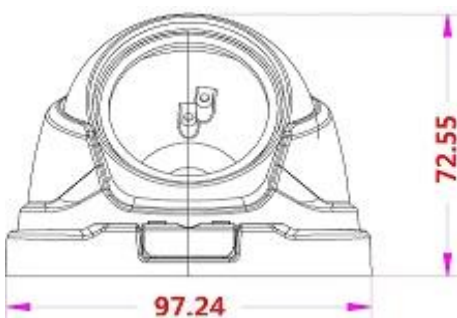
Scenarios :

Apply to roads, warehouses, underground parking and other place which required definition picture quality.

Model :

AHD3612SR3-F28

Dimension :



Parameters :

	Model	AHD3612SR3-F28	
Camera	Sensor	2.0MP 1/2.7" low illumination CMOS sensor	
	Signal	AHD/TVI/CVI@1080P	
	Min. illumination	Color : 0.01Lux @(F1.2,AGC ON); 0 Lux with IR B/W: 0.001 Lux @ (F1.2,AGC ON),0 Lux with IR	
	Shutter time	1/50(1/60)s to 1/10,000 s	
	Lens	HD lens 3.6mm @F1.8 (6mm optional)	
	Lens mount	M12	
	Day&night	IR cut filter with auto switch	
	Max.image resolution	1920*1080	
	Interface	Video output	1Vp-p Composite Output(75Ω/BNC)
		Audio I/O	N/A
General	temperature	-10°C - + 60°C	
	humidity	10%-90% RH	
	Power supply	DC12V±10%	
	IR range	24 led lambs "IR2" :20-30 meters	
	Consumption	MAX 3W	
	Material	metal	
	Ingress Protection	IP67	
	Weight	Around 300g	
Dimension	Φ97.2mm*72.5mm		