

5MP WDR Starlight (Motorized) VF Vandal-resistant Network IR Fixed Dome Camera

IPC3235ER3-DUVZ



Key Features

Optics

- Starlight illumination
- Day/night functionality
- Smart IR, up to 30m (98 ft) IR distance
- Up to 120 dB Optical WDR(Wide Dynamic Range)
- 2D/3D DNR (Digital Noise Reduction)
- Built-in motorized lens for remote zoom

Compression

- Ultra 265, H.265, H.264, MJPEG
- Embedded smart algorithm
- Triple streams
- ROI (Region of Interest)
- 9:16 corridor mode

Network

- ONVIF Conformance

Structure

- Support PoE power supply
- Built-in PoE splitter that outputs DC 12V
- Wide temperature range: -40°C to 60°C (-40°F to 140°F)

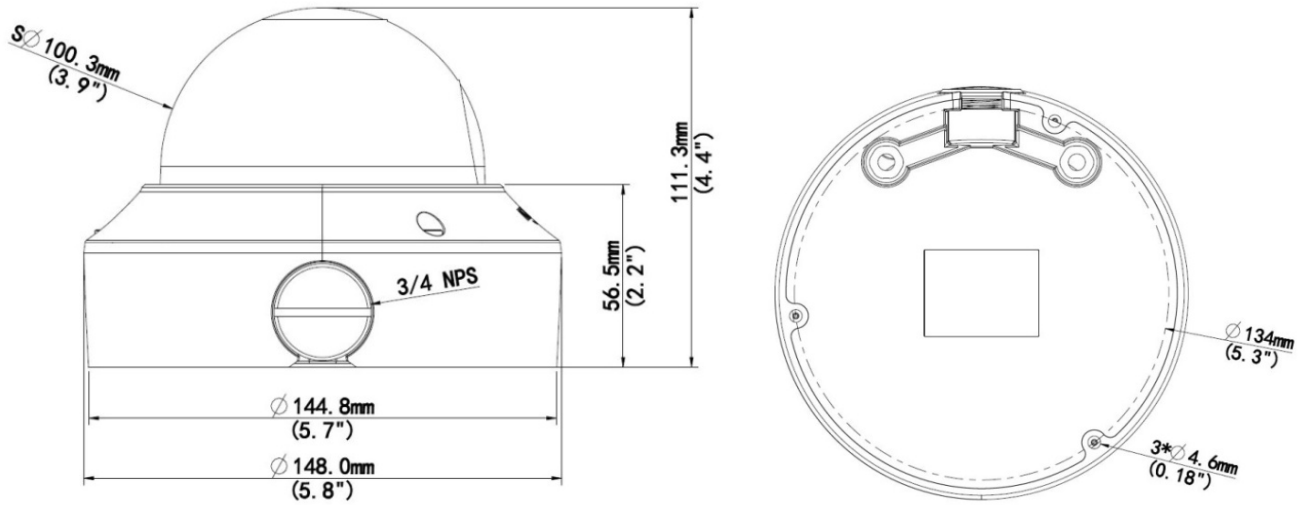
- Wide voltage range of $\pm 25\%$
- IK10 vandal resistant
- IP67

Specifications

IPC3235ER3-DUVZ																
Camera																
Sensor	1/2.7", progressive scan ,5.0 megapixel, CMOS															
Lens	2.7~13.5mm , AF automatic focusing and motorized zoom lens															
DORI Distance	<table border="1"> <thead> <tr> <th>Lens</th> <th>Detect(m)</th> <th>Observe(m)</th> <th>Recognize(m)</th> <th>Identify(m)</th> </tr> </thead> <tbody> <tr> <td>2.7mm</td> <td>60.8</td> <td>24.3</td> <td>12.2</td> <td>6.1</td> </tr> <tr> <td>13.5mm</td> <td>303.8</td> <td>121.5</td> <td>60.8</td> <td>30.4</td> </tr> </tbody> </table>	Lens	Detect(m)	Observe(m)	Recognize(m)	Identify(m)	2.7mm	60.8	24.3	12.2	6.1	13.5mm	303.8	121.5	60.8	30.4
	Lens	Detect(m)	Observe(m)	Recognize(m)	Identify(m)											
2.7mm	60.8	24.3	12.2	6.1												
13.5mm	303.8	121.5	60.8	30.4												
Angle of View (H)	93.38° ~ 28.56°															
Angle of View (V)	88°~ 16.4°															
Angle of View (O)	121.4° ~33.7°															
Adjustment angle	<table border="1"> <thead> <tr> <th>Pan: 0°~360°</th> <th>Tilt: 0°~90°</th> <th>Rotate: 0°~360°</th> </tr> </thead> <tbody> <tr> <td></td> <td></td> <td></td> </tr> </tbody> </table>	Pan: 0°~360°	Tilt: 0°~90°	Rotate: 0°~360°												
Pan: 0°~360°	Tilt: 0°~90°	Rotate: 0°~360°														
Shutter	Auto/Manual, shutter time: 1~1/100000 s															
Minimum Illumination	Colour: 0.002 Lux (F1.2, AGC ON) 0 Lux with IR															
Day/Night	IR-cut filter with auto switch (ICR)															
Digital noise reduction	2D/3D DNR															
S/N	>52dB															
IR Range	Up to 30m (98 ft) IR range															
Defog	Digital Defog															
WDR	120dB															
Video																
Video Compression	Ultra 265,H.265, H.264, MJPEG															
H.264 code profile	Baseline profile, Main Profile, High Profile															
Frame Rate	Main Stream: 5MP(2592 x 1944): Max. 20 fps, 5MP(2592 x 1944): Max. 25 fps(WDR OFF), 4MP(2560 x 1440): Max. 30 fps, 3MP(2048x 1536): Max. 30 fps, 2MP(1920 x 1080): Max. 30 fps; Sub Stream:2MP(1920 x 1080): Max. 30 fps; Third Stream: D1(720 x 576): Max.3 0 fps;															
9:16 Corridor Mode	Supported															
HLC	Supported															
BLC	Supported															
OSD	Up to 8 OSDs															
Privacy Mask	Up to 8 areas															
ROI	Up to 8 areas															
Motion Detection	Up to 4 areas															
Smart																
Behavior Detection	Intrusion, cross line, motion detection															
Intrusion	Enter and loiter in a pre-defined virtual region															

cross line	Cross a pre-defined virtual line
motion detection	Moving within a pre-defined virtual region
Recognition	Face detection、Audio detection
Intelligent Identification	Defocus, Scene Change
Statistical Analysis	People counting
General Function	Watermark, IP Address Filtering, Tampering Alarm, Alarm input, Alarm output, Access Policy, ARP Protection, RTSP Authentication, User Authentication
Audio	
Audio Compression	G.711
Two-way audio	Supported
Suppression	Supported
Sampling Rate	8 KHZ
Storage	
Edge Storage	Micro SD, up to 128 GB
Network Storage	ANR
Network	
Protocols	IPv4, IGMP, ICMP, ARP, TCP, UDP, DHCP, PPPoE, RTP, RTSP, RTCP, DNS, DDNS, NTP, FTP, UPnP, HTTP, HTTPS, SMTP, 802.1x, SNMP
Compatible Integration	ONVIF(Profile S, Profile G), API
Interface	
Audio I/O	Audio cable
	Input: impedance 35 kΩ; amplitude 2 V [p-p]
	Output: impedance 600 Ω; amplitude 2 V [p-p]
Alarm I/O	1/ 1
Network	1 RJ45 10M/100M Base-TX Ethernet
Video Output	1 BNC, impedance 75 Ω; amplitude 1 V [p-p]
General	
Power	12 V DC±25%, PoE (IEEE802.3 af)
	Power consumption: Max.8.7W
Dimensions (∅ x H)	∅148 x 111.3 mm (∅5.8" x 4.4")
Weight	0.75 kg (1.7 lb)
Working Environment	-40°C ~ +60°C (-40°F ~ 140°F), Humidity ≤ 95% RH(non-condensing)
Ingress Protection	IP67
Vandal Resistant	IK10
Reset Button	Supported

Dimensions



Accessories

Installation mode	Accessories	Description
Wall mount	TR-WM04-IN+TR-UP06-IN	For indoor wall installation, including junction box
	TR-FM152-A-IN	For in-ceiling installation, including junction box
	TR-JB07/WM04-IN (Or TR-JB07/WM04-A-IN)	For outdoor wall installation, including junction box TR-A01-IN waterproof joint for the junction is optional
	TR-JB07/WM04-IN (Or WM04-A-IN)+TR-UP06-IN	For outdoor wall installation, including junction box
Pendant mount	TR-UF45-E-IN+ TR-CE45-IN	For indoor pendent installation
Electric box adaptor	TR-SM04-IN	\

Zhejiang Uniview Technologies Co., Ltd.

Building No.10, Wanlun Science Park, Jiangling Road 88, Binjiang District, Hangzhou, Zhejiang, China (310051)

Email: overseasbusiness@uniview.com; globalsupport@uniview.com

<http://www.uniview.com>

©2017-2018 Zhejiang Uniview Technologies Co., Ltd. All rights reserved.

*Product specifications and availability are subject to change without notice.