



NVR & Camera Kit

PW8608K2T4CP/214



Key Features

PW8608-S1

- Support Ultra 265/H.265/H.264 video formats
- 8-channel input
- Third-party IP cameras supported with ONVIF conformance: Profile S, Profile G, Profile T
- Support 1-ch HDMI, 1-ch VGA
- HDMI and VGA simultaneous output
- Up to 6MP resolution recording
- 1 SATA HDD, up to 10 TB
- Support cloud upgrade

PW214

- Day/night functionality
- Smart IR, up to 30 m (98 ft) IR distance
- 3D DNR (Digital Noise Reduction)
- Ultra 265, H.265, H.264
- ROI (Region of Interest)
- ONVIF Conformance
- Wide temperature range: -30°C to 60°C (-22°F to 140°F)
- Wide voltage range of $\pm 25\%$
- IP67
- 3-Axis

Specifications

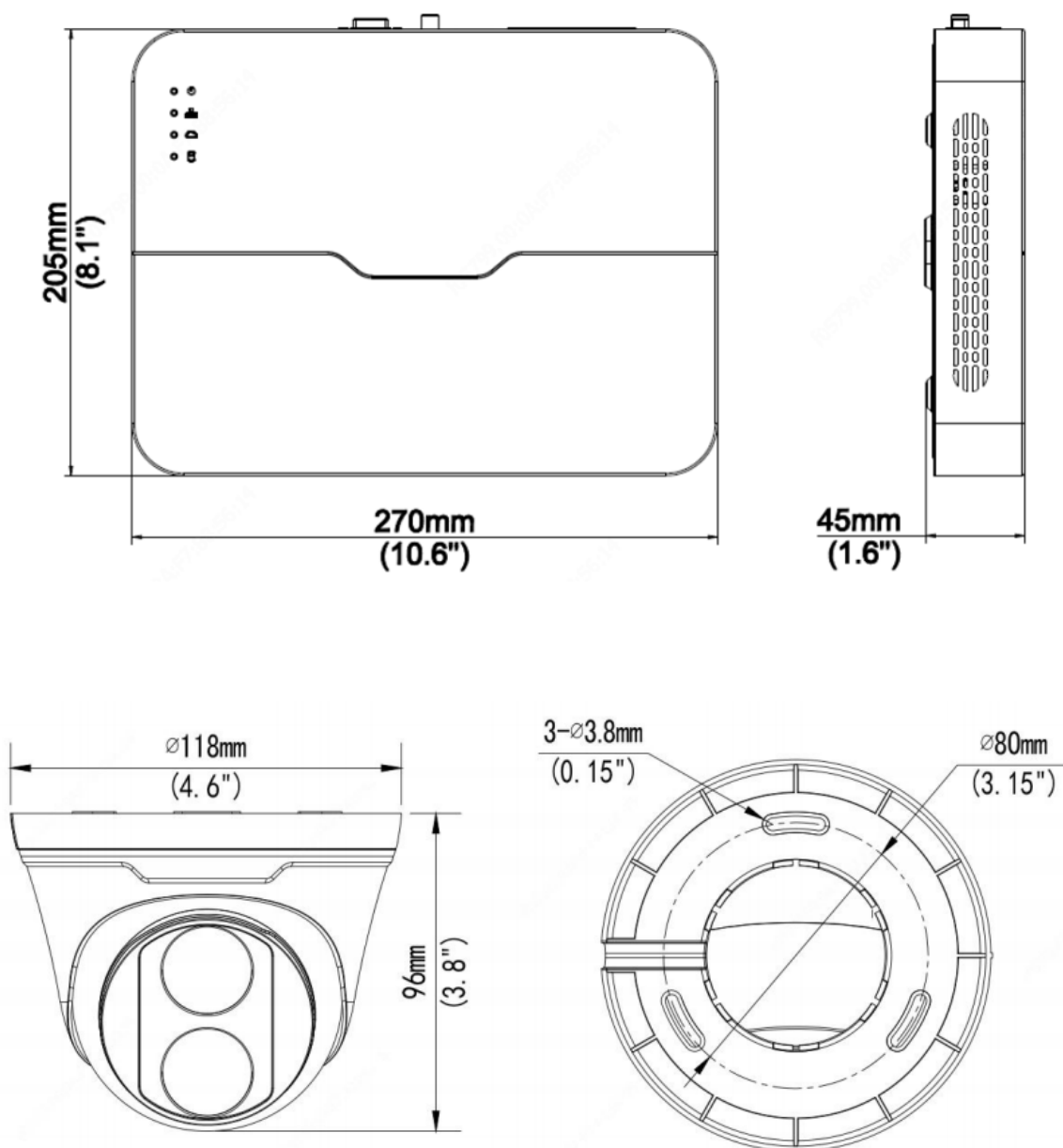
Model	PW8608-S1
Video/Audio Input	
IP Video Input	8-ch
Network	
Incoming Bandwidth	50Mbps
Outgoing Bandwidth	40Mbps
Remote Users	128
Protocols	P2P, UPnP, NTP, DHCP, PPPoE
Video/Audio Output	
HDMI/VGA Output	<p>HDMI: 1920x1080p /60Hz, 1920x1080p /50Hz, 1600x1200 /60Hz, 1280x1024 /60Hz, 1280x720 /60Hz, 1024x768 /60Hz</p> <p>VGA: 1920x1080p /60Hz, 1920x1080p /50Hz, 1600x1200 /60Hz, 1280x1024 /60Hz, 1280x720 /60Hz, 1024x768 /60Hz</p>
Recording Resolution	6MP/5MP/4MP/3MP/1080p/960p/720p/D1/2CIF/CIF
Synchronous Playback	8-ch
Corridor Mode Screen	3/4/5/7/9
Decoding	
Decoding format	Ultra 265/H.265/H.264
Live view/ Playback	6MP/5MP/4MP/3MP1080p/960p/720p/D1/2CIF/CIF
Capability	1 x 6MP@20,1 x 5MP@30, 2 x 4MP@25, 2 x 3MP@30,4 x 1080p@25, 8 x 960p@25,8 x 720p@30
Hard Disk	
SATA	1 SATA interface
Capacity	up to 10TB for each disk
External Interface	
Network Interface	1 RJ45 10M/100M self-adaptive Ethernet Interface

USB Interface	Rear panel: 2 x USB2.0				
Supported Standard	IEEE 802.3at, IEEE 802.3af				
PoE					
Interface	8 independent 100 Mbps PoE network interfaces				
Max Power	Max 30W for single port Max 108W in total (13.5W for each)				
Supported Standard	IEEE 802.3at, IEEE 802.3af				
General					
Power Supply	52V DC Power Consumption: ≤9 W (without HDD)				
Working Environment	-10°C ~ + 55°C (+14°F ~ +131°F), Humidity ≤ 90% RH (non-condensing)				
Dimensions(W×D×H)	270mm × 204mm × 45mm (10.6" × 8.1" × 1.6")				
Weight (without HDD)	0.8kg (1.76lb)				
Model	PW214				
Sensor	1/3", 4.0megapixel, progressive scan, CMOS				
Lens	4.0mm@F2.0				
DORI Distance	Lens	Detect(m)	Observe(m)	Recognize(m)	Identify(m)
	2.8	42	16.8	8.4	4.2
	4.0	60	24	12	6
Angle of View (H)	78.9°				
Angle of View (V)	39.6°				
Angle of View (O)	97.0°				
Adjustment angle	Pan: 0°~360°	Tilt: 0°~80°		Rotate: 0°~360°	
Shutter	Auto/Manual, 1~1/100000 s				
Minimum Illumination	Color: 0.03 Lux (F2.0, AGC ON) 0 Lux with IR on				
Digital noise reduction	2D/3D				
Day/Night	IR-cut filter with auto switch (ICR)				
S/N	>52dB				

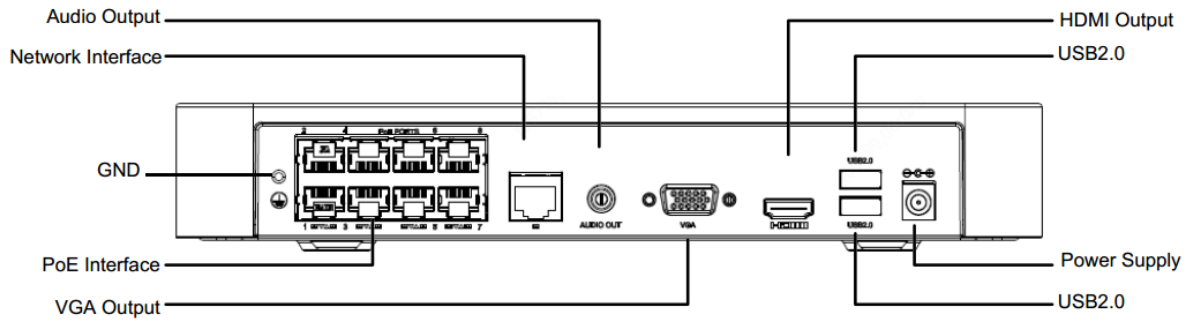
IR Range	Up to 30m (98 ft) IR range
WDR	DWDR
Video	
Video Compression	Ultra 265, H.265, H.264, MJPEG
H.264 code profile	Baseline profile, Main Profile
Frame Rate	Main Stream: 4MP (2592*1520), Max 20fps; Sub Stream: 720P (1280*720), Max 20fps; Third Stream: D1 (720*576), Max 20fps
HLC	Supported
BLC	Supported
OSD	Up to 4 OSDs
Privacy Mask	Up to 8 areas
ROI	Up to 2 areas
Motion Detection	Up to 4 areas
Smart	
Behavior Detection	Intrusion, Motion detection, Tampering alarm
Intrusion	Enter and loiter in a pre-defined virtual region
Network	
Protocols	IPv4, IGMP, ICMP, ARP, TCP, UDP, DHCP, RTP, RTSP, RTCP, DNS, DDNS, NTP, FTP, UPnP, HTTP, HTTPS, SMTP, SSL, QoS
Compatible Integration	ONVIF (Profile S, Profile T), API
Interface	
Network	10/100M Base-TX Ethernet
General	
Power	DC 12V±25%, PoE (IEEE 802.3af)
	Power consumption: Max 4W
Dimensions (Ø x H)	Φ118 x 96mm (Φ4.6" x 3.8")
Weight	0.35kg (0.77lb)
Working Environment	-30°C ~ 60°C (-22°F ~ 140°F), Humidity: ≤95% RH (non-condensing)
Ingress Protection	IP67

Carton	PW8608-S1/PW214
Dimensions(W×D×H)	340mm× 232mm ×361mm (13.4" × 9.13" ×14.21")
Weight	1.72kg (3.79lb)

Dimensions



Rear Panel



Petawise Inc.

Unit 8-9, 1040 Martin Grove Road, Etobicoke, Ontario, Canada M9W 4W1
 Sales@petawise.com; Marketing@petawise.com
 www.petawise.com

**Product specifications and availability are subject to change without notice.*