

**4MP 25x Lighthunter**  
**Network PTZ Dome Camera**  
**PW634-IU25**



## Key Features



- High quality image with 4MP, 1/2.8" CMOS sensor
- 2688\*1520@30fps in the main stream
- Ultra 265, H.265, H.264, MJPEG
- Triple streams
- 25X Optical Zoom
- Smart intrusion prevention, support false alarm filtering, include Cross Line, Intrusion, Enter Area, Leave Area detection
- People Counting, support people flow counting and crowd density monitoring, suitable for different statistical scenarios
- Lighthunter technology ensures ultra-high image quality in low illumination environment
- Smart IR, up to 100m (328ft) IR distance
- DC 12V±25% or PoE+ (IEEE 802.3at)
- Alarm 2 in and 1 out, Audio 1 in and 1 out
- IP67 ingress protection
- IK10 vandal resistant

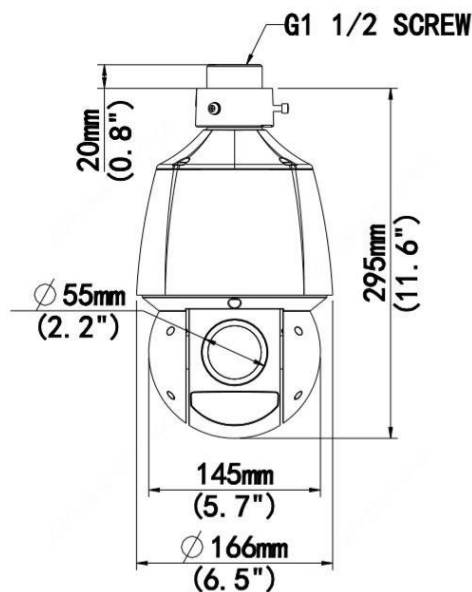
# Specifications

PW634-IU25					
<b>Camera</b>					
Sensor	1/2.8", 4.0 megapixel, progressive scan, CMOS				
Min. Illumination	Colour: 0.003 Lux (F1.5, AGC ON) 0 Lux with IR				
Day/Night	IR-cut filter with auto switch (ICR)				
Shutter	Auto/Manual, 1 - 1/100000s				
WDR	120dB				
S/N	>56dB				
<b>Lens</b>					
Lens type	4.8 - 120mm, AF automatic focusing and motorized zoom lens				
Digital Zoom	16				
Optical Zoom	25				
Iris	Auto; F1.5 - F3.8				
Field of View (H)	52.20° - 2.74°				
Field of View (V)	30.81° - 1.54°				
Field of View (D)	64.20° - 3.23°				
<b>DORI</b>					
DORI Distance	Lens (mm)	Detect (m)	Observe (m)	Recognize (m)	Identify (m)
	4.8	119.3(391.2ft)	47.7(156.5ft)	23.9(78.2ft)	11.9(39.1ft)
	120	2475.0(8120.1ft)	990.0(3248.0ft)	495.0(1624.0ft)	247.5(812.0ft)
<b>Illuminator</b>					
IR Range	Up to 100m (328 ft) IR range				
Wavelength	850nm				
IR On/Off Control	Auto/Manual				
<b>Video</b>					
Video Compression	Ultra 265, H.265, H.264, MJPEG				
Frame Rate	Main Stream: 4MP(2688*1520),Max 30fps; Sub Stream: 2MP (1920*1080), Max 30fps; Third Stream: D1 (720*576), Max 30fps;				
Video Bit Rate	128 Kbps-16 Mbps				
U-code	Support				
ROI	Support				
Video Stream	Triple streams				
OSD	Up to 8 OSDs				
Privacy Mask	24 areas, up to 4 areas per scene				
<b>Image</b>					
White Balance	Auto/Outdoor/Fine Tune/Sodium Lamp/Locked/Auto2				
Digital Noise Reduction	2D/3D DNR				
Smart IR	Support				
Flip	Normal/Flip Vertical/Flip Horizontal/180°/90° Clockwise/90° Anti-clockwise				
HLC	Support				
BLC	Support				

Defog	Digital Defog
<b>Intelligent</b>	
Smart Intrusion Prevention	Support false alarm filtering: Line crossing detection, Intrusion detection, Enter Area detection, Leave Area detection
People Counting	Support people flow counting and crowd density monitoring
<b>Events</b>	
Basic Detection	Motion detection, Audio detection, Tampering Alarm
Auto Tracking	Support
General Function	Watermark, IP Address Filtering, Alarm input, Alarm output, Access Policy, ARP Protection, RTSP Authentication, User Authentication
<b>Audio</b>	
Audio Compression	G.711U,G.711A
Audio Bitrate	64 Kbps
Two-way Audio	Support
Suppression	Support
Sampling Rate	8 kHz
<b>Storage</b>	
Edge Storage	Micro SD, up to 256 GB
Network Storage	ANR,NAS(NFS)
<b>Network</b>	
Protocols	IPv4, IGMP, ICMP, ARP, TCP, UDP, DHCP, PPPoE, RTP, RTSP, RTCP, DNS, DDNS, NTP, FTP, UPnP, HTTP, HTTPS, SMTP, 802.1x, SNMP, QoS, RTMP,SSL/TLS
Compatible Integration	ONVIF (Profile S, Profile G, Profile T), API,SDK
User/Host	Up to 32 users. 3 user levels: administrator, operator and common user
Security	Password protection, Strong password, HTTPS encryption, Export operation logs, Basic and digest authentication for RTSP, Digest authentication for HTTP, TLS 1.2, WSSE and digest authentication for ONVIF
Client	ProVU VMS ProVU Mobile
Web Browser	Plug-in required live view: IE 10 and above, Chrome 45 and above, Firefox 52 and above, Edge 79 and above
<b>Pan &amp; Tilt</b>	
Pan Range	360° (endless)
Pan Speed	0.1° /s - 200° /s
	Preset speed: 240° /s
Tilt Range	-15° - 90° (auto reverse)
Tilt Speed	0.1° /s - 120° /s
	Preset speed: 200° /s
Number of Presets	1024
Preset Patrol	16 patrols, up to 64 presets for each patrol
Route Patrol	16 patrols, up to 32 actions for each patrol
Recorded Patrol	16 patrols, up to 128 actions for each patrol
Patrol Stay Time	15s-1800s
Preset Image Freeze	Support
Home Position	Support
<b>Interface</b>	
Audio I/O	1/1
Alarm I/O	2/1
Serial Port	1 RS485

Built-in Mic	N/A
Built-in Speaker	N/A
WIFI	N/A
Network	1 * RJ45 10M/100M Base-TX Ethernet
Video Output	1 BNC
<b>Certification</b>	
EMC	CE-EMC (EN 55032: 2015+A1:2020, EN 61000-3-3: 2013+A1: 2019, EN IEC 61000-3-2: 2019+A1: 2021, EN 55035: 2017+A11:2020) FCC (FCC CFR 47 part15 B, ANSI C63.4-2014)
Safety	CE LVD (EN 62368-1:2014+A11:2017) CB (IEC 62368-1:2014) UL (UL 62368-1, 2nd Ed., Issue Date: 2014-12-01)
Environment	CE-RoHS (2011/65/EU;(EU)2015/863); WEEE (2012/19/EU); Reach (Regulation (EC) No 1907/2006)
Protection	IP67 (IEC 60529:1989+AMD1:1999+AMD2:2013) IK10 (IEC 62262:2002)
<b>General</b>	
Power	DC12V(±25%,3A), PoE+(IEEE 802.3at)
	Power consumption: MAX 21W
Power Interface	Ø 5.5mm coaxial power plug
Dimensions (Ø x H)	Ø166 x 295mm (Ø6.5" x 11.6")
Weight	3.05kg(6.72lb)
Working Environment	-40°C-70°C(-40°F - 158°F), Humidity: ≤95% RH (non-condensing)
Storage Environment	-40°C-70°C(-40°F - 158°F), Humidity: ≤95% RH (non-condensing)
Surge Protection	6KV
Reset Button	Support

## Dimensions



## Accessories

TR-CE45-IN  
Pendent Mount



TR-WE45-IN  
Wall Mount



TR-UF45-A-IN  
Pendent Mount



TR-JB12-IN  
Junction Box



TR-SE45-A-IN  
Pendent Mount



TR-SE45-IN  
Pendent Mount



TR-UP08-A-IN/TR-UP08-B-IN  
Pole Mount



TR-UC08-A-IN/ TR-UC08-B-IN  
Corner Mount

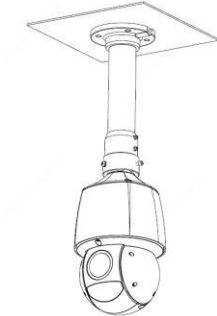
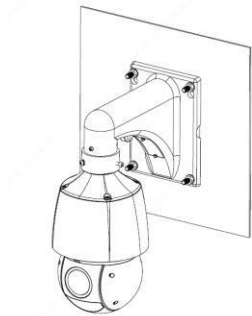
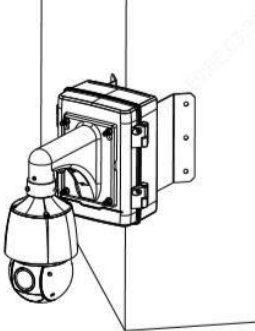
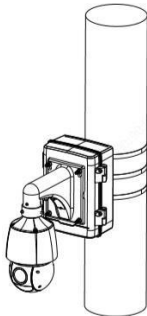


TR-WE45-B-IN  
Wall Mount



TR-WE45-A-IN  
Wall Mount



Pendent Mount (Indoor Use)	Wall Mount
TR-CE45-IN	TR-WE45-IN / TR-WE45-A-IN
	
Corner Mount	Pole Mount
TR-UC08-A-IN + TR-JB12-IN + TR-WE45-IN	TR-UP08-A-IN + TR-JB12-IN + TR-WE45-IN
	

### Petawise Inc.

Unit 8-9, 1040 Martin Grove Road, Etobicoke, Ontario, Canada M9W 4W1  
 Sales@petawise.com; Marketing@petawise.com  
 www.petawise.com

*\*Product specifications and availability are subject to change without notice.*