

Mini PTZ PW635-IU4A



Key Features



- High quality image with 5MP, 1/2.7" CMOS sensor
- 5MP (2880*1620) @30/25fps; 4MP (2560*1440) @25fps; 3MP (2304*1296) @25fps; 2MP (1920*1080) @ 30/25fps;
- Ultra 265, H.265, H.264, MJPEG
- Intelligent perimeter protection, include cross line, intrusion, enter area, leave area detection
- Based on target classification, smart intrusion prevention significantly reduces false alarm caused by leaves, birds and lights etc., accurately focus on human and, motor vehicle and non-motor vehicle
- Light Hunter technology ensures ultra-high image quality in low illumination environment
- 120dB true WDR technology enables clear image in strong light scene
- Built-in Mic
- Built-in Speaker
- Smart IR, Up to 50 m (164 ft) IR and 10m (33 ft) warm light distance
- Supports 256 G Micro SD card
- IP66 protection
- Support PoE power supply

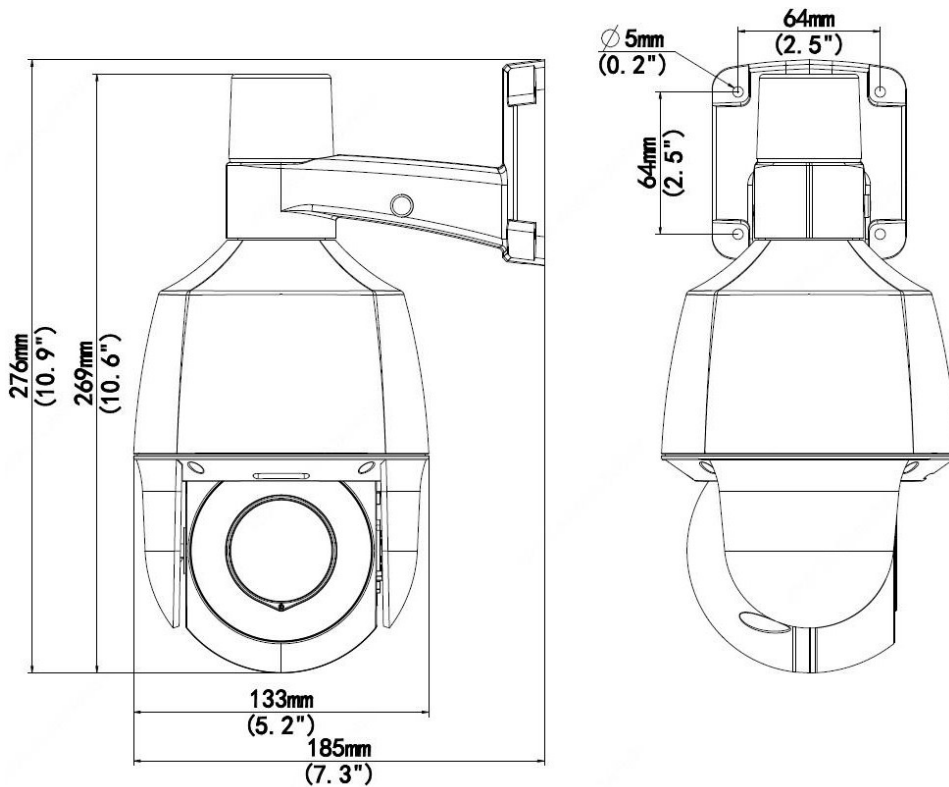
Specifications

PW635-IU4A					
Camera					
Sensor	1/2.7" progressive scan, 5.0 megapixel, CMOS				
Lens	2.8-12mm, AF automatic focusing and motorized zoom lens				
DORI Distance	Lens	Detect(m)	Observe(m)	Recognize(m)	Identify(m)
	2.8mm	63.0	25.2	12.6	6.3
	12mm	270.0	108.0	54.0	27.0
Angle of View (H)	30.6°-104.1°				
Angle of View (V)	17.4°-54.9°				
Angle of View (O)	34.4°-108.3°				
Shutter	Auto/Manual, shutter time: 1 s - 1/100000 s				
Minimum Illumination	Colour:0.003 lux (F1.6, AGC ON) 0 lux with IR				
Day/Night	IR-cut filter with auto switch (ICR)				
Digital noise reduction	2D/3D DNR				
S/N	>52 dB				
IR Range	UP to 50m (164ft)				
Wavelength	850nm				
IR On/Off Control	Auto/Manual				
Warm Light Range	UP to 10m (33ft)				
WDR	120dB				
Video					
Video Compression	Ultra 265, H.265, H.264, MJPEG				
H.264 code profile	Baseline profile, Main Profile				
Frame Rate	Main Stream: 5MP (2880*1620), Max 30fps; 4MP (2560*1440), Max 25fps; 3MP (2304*1296), Max 25fps; 2MP (1920*1080), Max 30fps; Sub Stream: 720P (1280*720), Max 30fps; D1 (720*576), Max 30fps; 640*360, Max 30fps; 2CIF (704*288), Max 30fps; CIF (352*288), Max 30fps; Third Stream: D1 (720*576), Max 30fps; 640*360, Max 30fps; 2CIF (704*288), Max 30fps; CIF (352*288), Max 30fps;				
Video Bit Rate	128 Kbps-16 Mbps				
OSD	Up to 8 OSDs				
Privacy Mask	Up to 8 areas				
ROI	Up to 8 areas				
Motion Detection	Up to 4 areas				
A.I. Analytics	Cross line, Intrusion, Enter area, Leave area, Face Detection				
Image					
White Balance	Auto/Outdoor/Fine Tune/Sodium Lamp/Locked/Auto2				
Digital noise reduction	2D/3D DNR				
Smart IR	Support				
Flip	Normal/Vertical/Horizontal/180°/90° Clockwise/90° Anti-clockwise				
Dewarping	N/A				
HLC	Supported				
BLC	Supported				

Intelligent	
Smart intrusion Prevention	Cross Line, Intrusion, Enter Area, Leave Area detection; Motion detection;
Events	
Basic Detection	Motion detection, Tampering alarm, Audio Detection
General Function	Watermark, IP Address Filtering, Tampering Alarm, Access Policy, ARP Protection, RTSP Authentication, User Authentication
Audio	
Audio Compression	G.711U, G.711A
Two-way Audio	Supported
Suppression	Supported
Sampling Rate	8 KHZ
Storage	
Edge Storage	Micro SD, up to 256 GB
Network Storage	ANR, NAS(NFS)
Network	
Protocols	IPv4, IGMP, ICMP, ARP, TCP, UDP, DHCP, PPPoE, RTP, RTSP, RTCP, DNS, DDNS, NTP, FTP, UPnP, HTTP, HTTPS, SMTP, 802.1x, SNMP, SSL
Compatible Integration	ONVIF (Profile S, Profile G, Profile T), API
Web Browser	Plug-in required live view: IE9+, Chrome 41 and below, Firefox 52 and below
	Plug-in free live view: Chrome 57.0+, Firefox 58.0+, Edge 16+, Safari 11+
Pan & Tilt	
Pan Range	0° - 345°
Pan Speed	0.1°/s - 50°/s
	Preset speed: 50°/s
Tilt Range	-10-110°
Tilt Speed	0.1° ~ 40°/s
	Preset speed: 40°/s
Number of Presets	256
Patrol	Preset patrol, Route patrol
Interface	
Network	1 RJ45 10M/100M Base-TX Ethernet
Built-in Mic	Supported
Built-in Speaker	Supported
Alarm Light	Supported
Certifications	
Certifications	CE: EN 60950-1 UL: UL60950-1 FCC: FCC Part 15
General	
Power	DC 12V±25%, PoE (IEEE802.3 at)
	Power consumption: Max 18 W
Dimensions (Ø x H)	Φ133mm*269.4mm (Φ5.2"x 10.6")
Net Weight	0.87 kg (1.92lb)
Gross Weight	1.13 kg (2.49lb)
Material	Metal + Plastic

Working Environment	-20 °C ~ 60 °C (-4 °F to 140 °F), Humidity: ≤95% RH (non-condensing)
Storage Environment	-20 °C ~ 60 °C (-4 °F to 140 °F), Humidity: ≤95% RH (non-condensing)
Surge Protection	4KV
Ingress Protection	IP66
Reset Button	Supported

Dimensions



Accessories

TR-JB07-D-IN



TR-UP06-B-IN



TR-UP06-C-IN



TR-A01-IN

