

# 5MP HD ColorHunter Fixed Eyeball Network Camera PW515F-IS28W



## Key Features



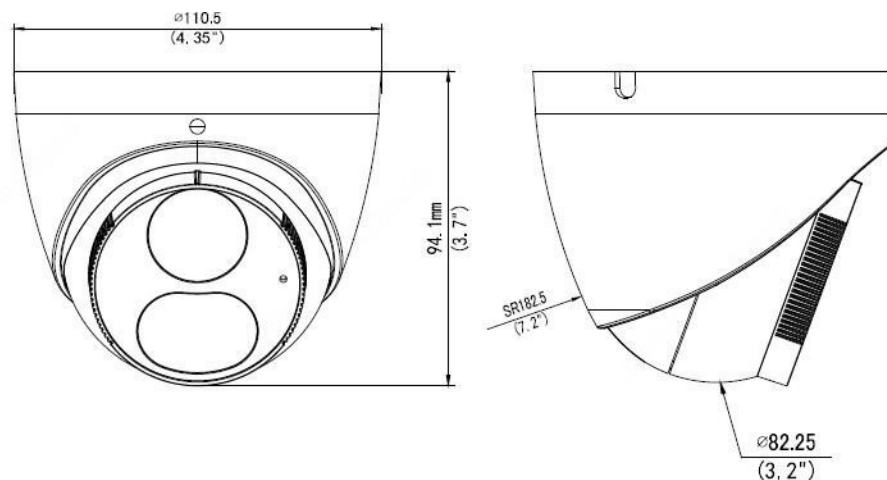
- High quality image with 5MP, 1/2.7" CMOS sensor
- 5MP (2880\*1620)@25fps; 4MP (2560\*1440)@25fps; 3MP (2304\*1296)@25fps; 2MP (1920\*1080)@ 30/25fps;;
- Ultra 265, H.265, H.264, MJPEG
- Colorhunter technology ensures 24-hour full-color images
- 120dB true WDR technology enables clear image in strong light scene
- Support 9:16 corridorMode
- Support built-in Mic
- Support 256 G Micro SD card
- IP67 protection
- Support PoE power supply

# Specifications

PW515F-IS28W					
Camera					
Sensor	1/2.7", 5.0megapixel, progressive scan, CMOS				
Lens	2.8mm@F1.0				
DORI Distance	Lens (mm)	Detect (m)	Observe (m)	Recognize (m)	Identify (m)
	2.8	63.0	25.2	12.6	6.3
Angle of view(H)	102.0°				
Angle of View (V)	53.4°				
Angle of View (O)	121.0°				
Adjustment angle	Pan: 3° ~ 360°	Tilt: 0° ~ 80°		Rotate: 3° ~ 360°	
Shutter	Auto/Manual, 1 ~ 1/100000s				
Minimum Illumination	Color: 0.001Lux (F1.0, AGC ON)				
S/N	>56dB				
Defog	Digital Defog				
WDR	120dB				
LEDs Number	2				
LED Distance	Up to 30m (98ft)				
Video					
Video Compression	Ultra265, H.265, H.264, MJPEG				
H.264 code profile	Baseline profile, Main profile, High profile				
Frame Rate	Main Stream: 5MP (2880*1620), Max 25fps; 4MP (2560*1440), Max 25fps; 3MP (2304*1296), Max 25fps; 2MP (1920*1080), Max 30fps; Sub Stream: 720P (1280*720), Max 30fps; D1 (720*576), Max 30fps; 640*360, Max 30fps; 2CIF (704*288), Max 30fps; CIF (352*288), Max 30fps; Third Stream: D1 (720*576), Max 30fps; 640*360, Max 30fps; 2CIF (704*288), Max 30fps; CIF (352*288), Max 30fps;				
Video Bit Rate	128 Kbps~16 Mbps				
9:16 Corridor Mode	Supported				
OSD	Up to 8 OSDs				
Privacy Mask	Up to 4 areas				
ROI	Up to 8 areas				
A.I. Analytics	Cross line, Intrusion, Enter area, Leave area, Face Detection				
Image					
White Balance	Auto/Outdoor/Fine Tune/Sodium Lamp/Locked/Auto2				
Digital noise reduction	2D/3D DNR				
Smart Illumination	Support				
Flip	Normal/Vertical/Horizontal/180°/90° Clockwise/90° Anti-clockwise				
Dewarping	N/A				
HLC	Support				
BLC	Support				
Audio					
Audio Compression	G.711				
Suppression	Supported				

Sampling Rate	8KHZ
<b>Storage</b>	
Edge Storage	Micro SD, up to 256GB
Network Storage	ANR, NAS(NFS)
<b>Network</b>	
Protocols	IPv4, IGMP, ICMP, ARP, TCP, UDP, DHCP, PPPoE, RTP, RTSP, RTCP, DNS, DDNS, NTP, FTP, UPnP, HTTP, HTTPS, SMTP, 802.1x, SNMP, QoS
Compatible Integration	ONVIF (Profile S, Profile G, Profile T), API
Web Browser	Plug-in required live view: IE9+, Chrome 41 and below, Firefox 52 and below
	Plug-in free live view: Chrome 57.0+, Firefox 58.0+, Edge 16+, Safari 11+
<b>Interface</b>	
Built-in Mic	Supported
Network	1 RJ45 10M/100M Base-TX Ethernet
<b>Certifications</b>	
Certifications	CE: EN 60950-1 UL: UL60950-1 FCC: FCC Part 15
<b>General</b>	
Power	DC 12V±25%, PoE (IEEE 802.3af)
	Power consumption: Max 7.5W
Dimensions (Ø x H)	Φ110.5 x 94.1mm (Ø4.4" x 3.7")
Net Weight	0.44kg (0.97lb)
Material	metal
Working Environment	-30°C ~ 60°C (-22°F ~ 140°F), Humidity: ≤95% RH (non-condensing)
Storage Environment	-30°C ~ 60°C (-22°F ~ 140°F), Humidity: ≤95% RH (non-condensing)
surge protection	2KV
Ingress Protection	IP67

## Dimensions

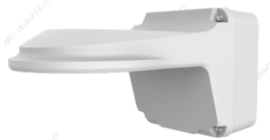


## Accessories

TR-JB03-G-IN



TR-JB07/WM03-G-IN



TR-WM03-D-IN



TR-UM06-E-IN



TR-A01-IN



TR-UP06-IN



TR-SE24-IN



TR-SE24-A-IN



TR-CM24-IN



### **Petawise Inc.**

Unit 8-9, 1040 Martin Grove Road, Etobicoke, Ontario, Canada M9W 4W1  
Sales@petawise.com; Marketing@petawise.com  
www.petawise.com

*\*Product specifications and availability are subject to change without notice.*