

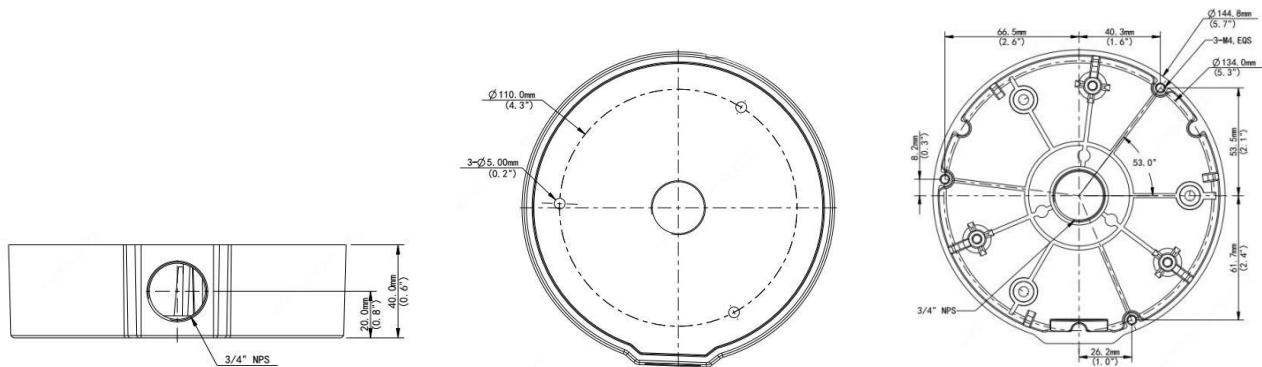
Fixed Dome Junction Box JB04



Specifications

Bracket	JB04
Application	Wall installation for PW525F-ISZA Series fixed dome
Dimensions	Φ144.8mm*40mm (5.70" x1.57")
Weight	0.3kg(0.66lb)
Material	Aluminum alloy

Dimensions



Petawise Inc.

Unit 8-9, 1040 Martin Grove Road, Etobicoke, Ontario, Canada M9W 4W1
 Sales@petawise.com; Marketing@petawise.com
 www.petawise.com

**Product specifications and availability are subject to change without notice.*